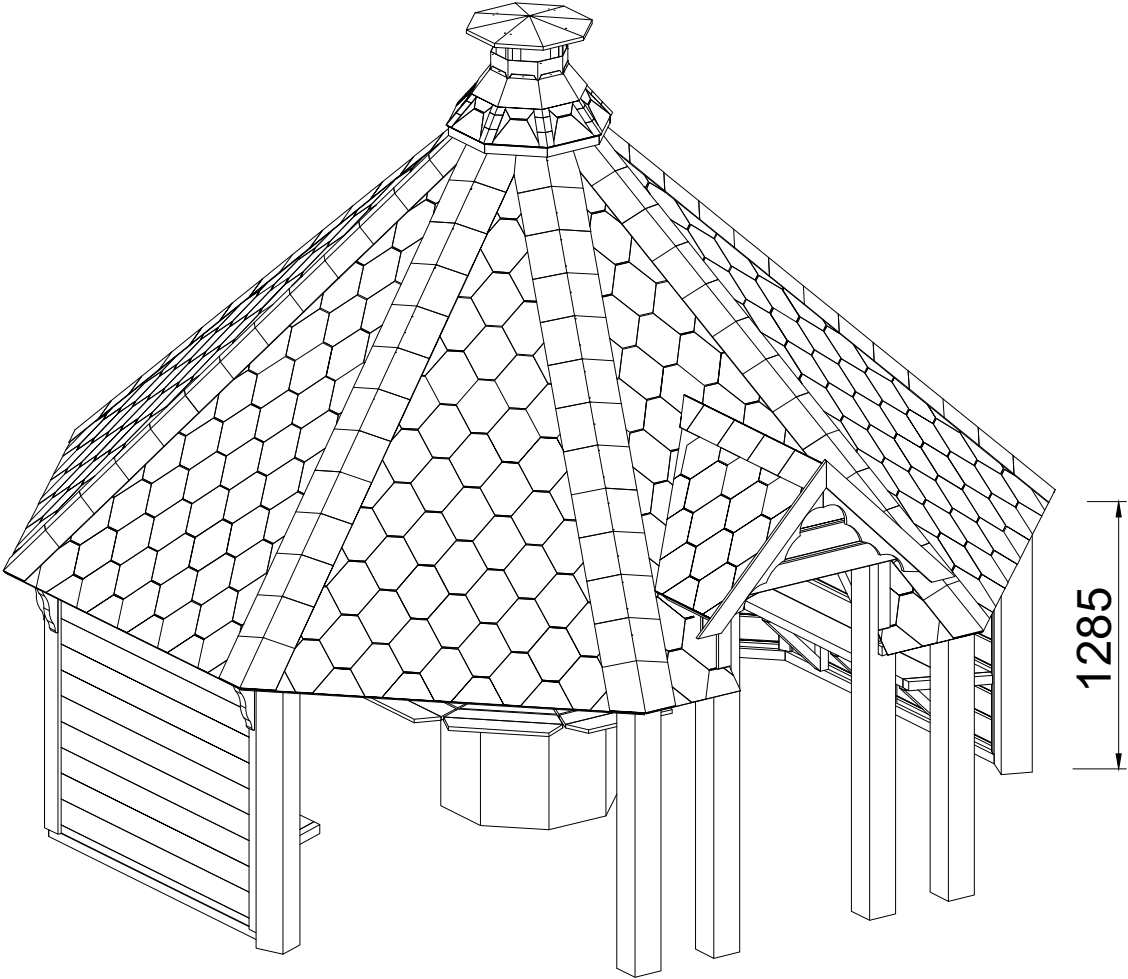
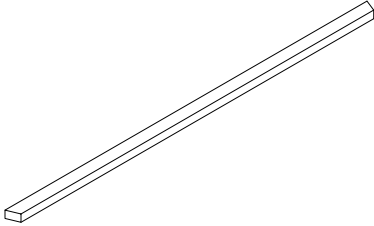
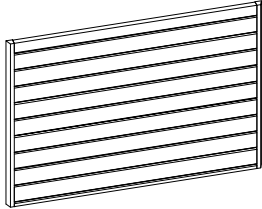
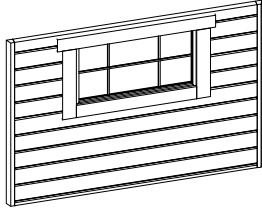







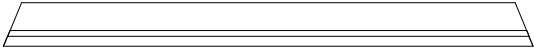


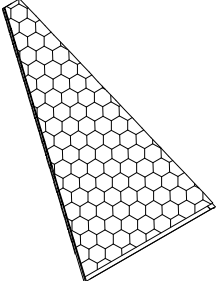
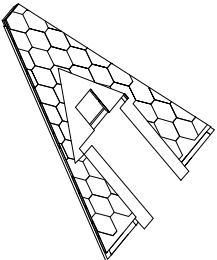
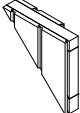
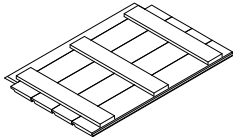
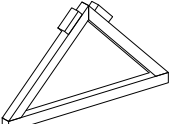
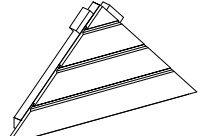
Open Grill Cabin 14.9



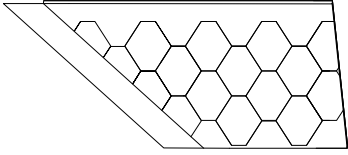
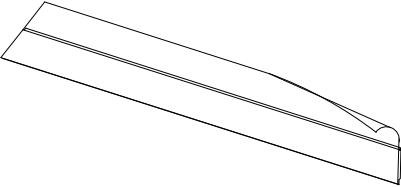

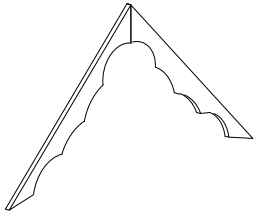
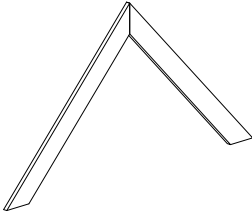
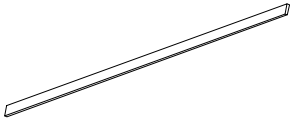


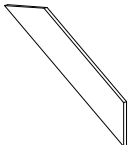
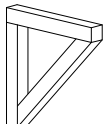
1. Open Grill Cabin 14.9

| Nr. | DETAILÉ | KODAS | VNT. |
|-----|---|-----------------------|------|
| 1. |  | Mi-45x70x1780-2x22.5F | 5 |
| 2. |  | GR14.9-S-1285x1780 | 3 |
| 3. |  | GR14.9-S-1285x1780 | 2 |
| 4. |  | GR8-Ap(kd)-1285 | 4 |
| 5. |  | GR-Ap(k)-1285 | 1 |
| 6. |  | GR-Ap(d)-1285 | 1 |
| 7. |  | M-140x140x1845-F | 2 |

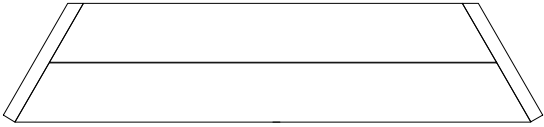
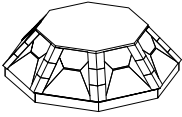
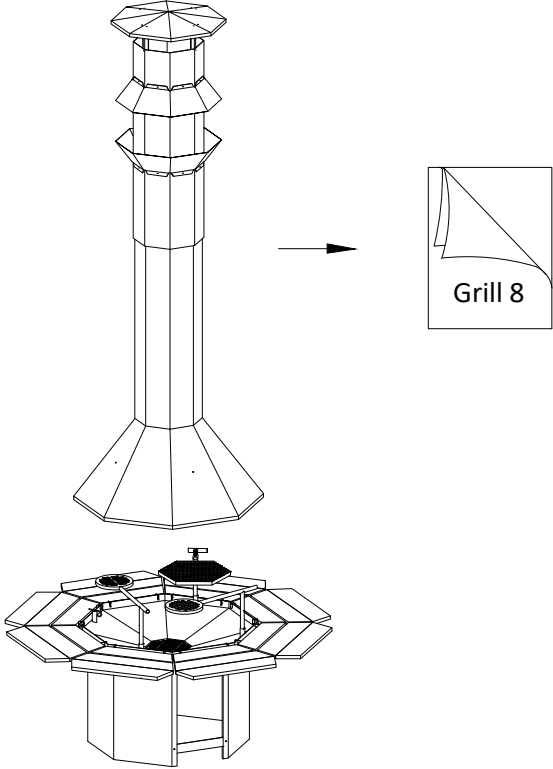
2. Open Grill Cabin 14.9

| Nr. | DETAILĖ | KODAS | VNT. |
|-----|---|--|------|
| 8. |  | M-140x140x1330 | 4 |
| 9. |  | M-45x195x1904-F | 7 |
| 10. |  | M-45x195x527-F(k) ir M-45x195x527-F(d) | 2 |
| 11. |  | M-45x70x240-F | 6 |
| 12. |  | GR14.9-Stog-1883x2829 | 7 |
| 13. |  | GR14.9-StogD-1883x2829-A850 | 1 |
| 14. |  | GR-trikamp-399x417-(k) GR-trikamp-399x417-(d) | 2 |
| 15. |  | GR-lubos-636x939 | 1 |
| 16. |  | GR-Stog-trik-453x815 | 1 |
| 17. |  | GR-Pr-trik-491x981 | 1 |

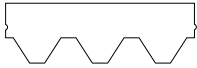

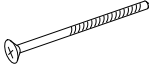
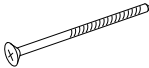
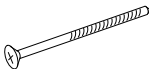





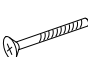
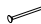

3. Open Grill Cabin 14.9

| Nr. | DETAILĖ | KODAS | VNT. |
|-----|---|--|----------|
| 18. |  | GR-Stog-845x1090-(k) GR-Stog-845x1090-(d) | 2 |
| 19. |  | GR14.9-Stog-prailg-145x1933 | 5 |
| 20. |  | GR14.9-Stog-prailg-145x541-(k)-A850 GR14.9-Stog-prailg-145x541-(d)-A850 | 2 |
| 21. |  | M-18x95x820-CNC | 1 kompl. |
| 22. |  | M-18x95x1050-F | 1 kompl. |
| 23. |  | M-18x70x2865 | 8 |
| 24. |  | M-18x70x1280 | 4 |
| 25. |  | M-18x33x1280 | 2 |
| 26. |  | M-18x70x510-F | 2 |
| 27. |  | GR-suolu-kojos | 15 |

4. Open Grill Cabin 14.9

| Nr. | DETAILĖ | KODAS | VNT. |
|-----|--|---------------|----------|
| 28. |  | GR14.9-suolai | 5 |
| 29. |  | GR8k-Kepure | 1 |
| 30. |  | GRC08 | 1 kompl. |
| | | | |
| | | | |
| | | | |

5. Open Grill Cabin 14.9

| Nr. | DETAILĖ | KODAS | VNT. |
|-----|---|---------------------------------|--------------------------|
| 1. |  | Bitumines-cerpes -3x317x1000 | 1 pak |
| 2. |  | Bitumines cerpes 3x250x1000 | 2 pak + 10 lapų |
| 3. |  | T-GC-5x100 | 175 |
| 4. |  | T-GC-5x80 | 130 |
| 5. |  | T-GC-6x80 | 105 |
| 6. |  | T-GC-4x70 | 25 |
| 7. |  | T-BC-4x70 | 18 |
| 8. |  | T-BC-4x50 | 113 |
| 9. |  | T-GC-4x50 | 55 |
| 10. |  | T-GC-3.5x45 | 400 |
| 12. |  | T-GC-3x30 | 18 |
| 13. |  | T-V-2x20 | 900 |
| 14. |  | Bitumine juosta 3x70x1360 | 2 |
| | | | |
| | | | |

Open Grill Cabin 14.9 FOUNDATION

It is very important to have a proper foundation.

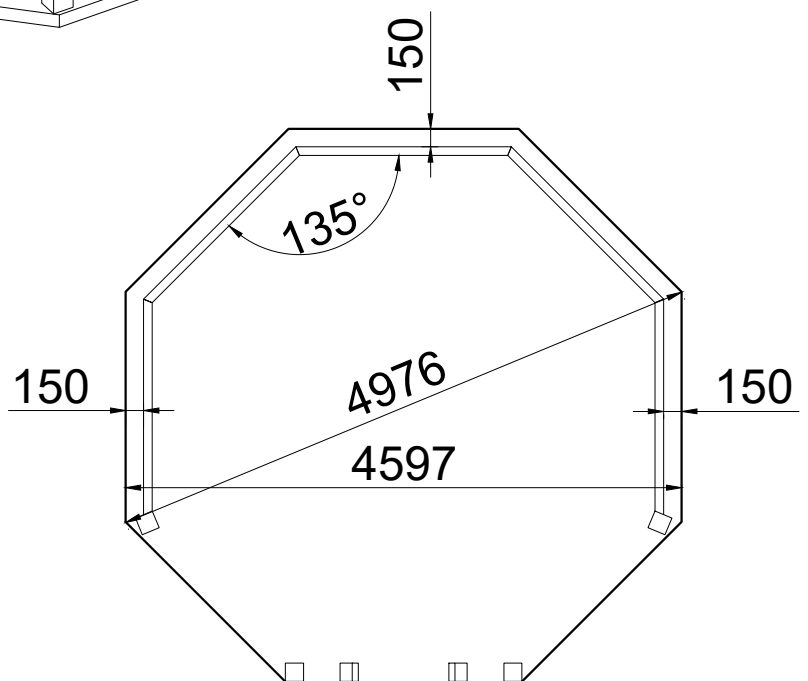
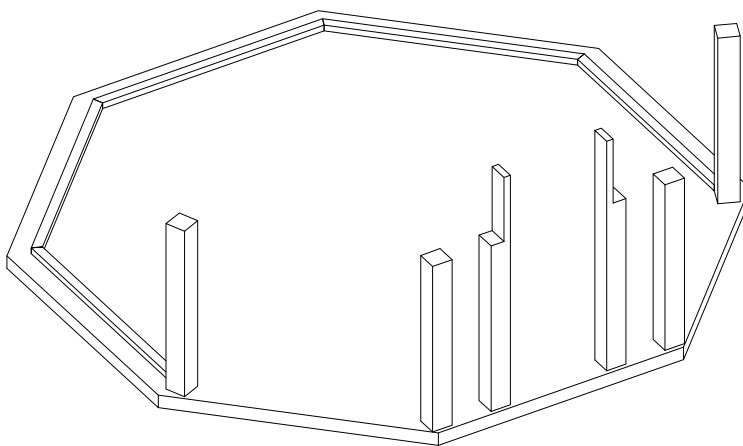
Therefore we recommend making the foundation according to the sketches here. First of all, foundation must be prepared according to the landscape and ground conditions.

The foundation under the product must be prepared specially, it must be homogeneous, tight and equal. It must be ensured that it will not change its properties. We recommend using concrete foundation. Before installation of product, we recommend to make hydro isolation of foundation.

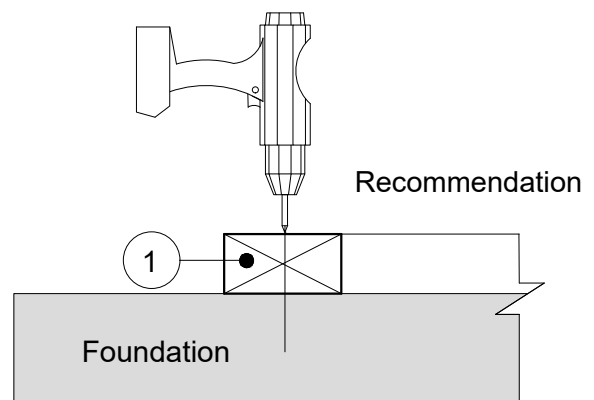
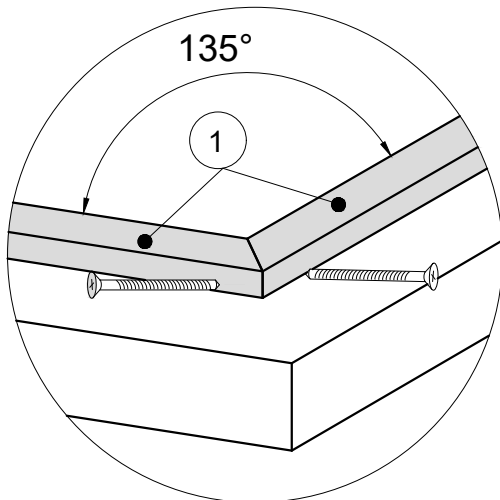
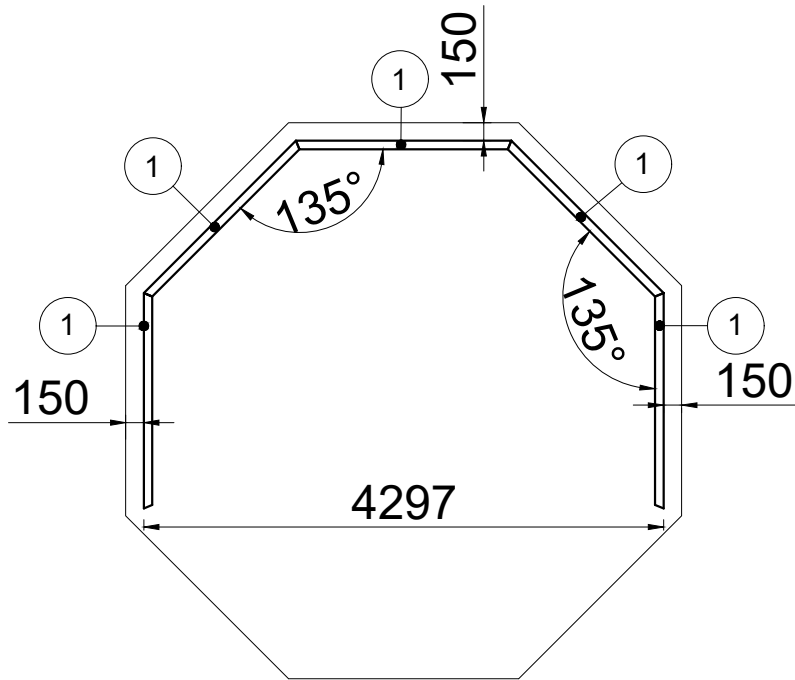
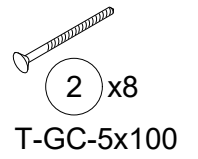
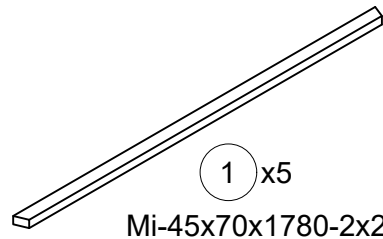
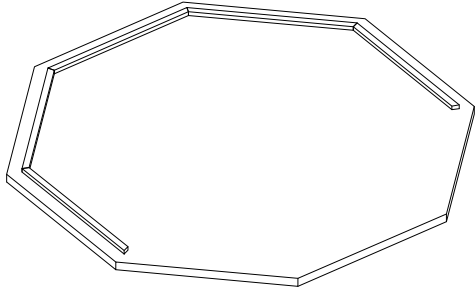
Consult a local qualified builder or an engineer to prepare a proper foundation, which fits to your location.

Due to improper foundation, cracks in the structures may occur. Due to uneven product seating, the geometric shape of the product may change. And in the worst case product 's collapse.

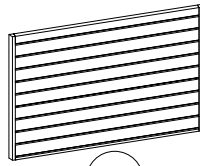
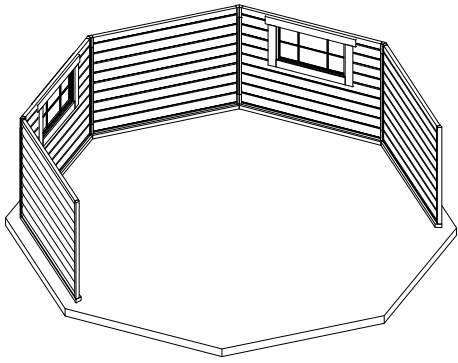
If you do not follow recommendation, product will lose its warranty.



1. Open Grill Cabin 14.9 WOOD RING - FOUNDATION

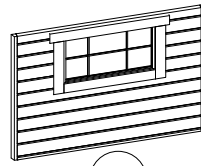


2. Open Grill Cabin 14.9 WALLS CONNECTION



1 x3

GR14.9-S-1285x1780



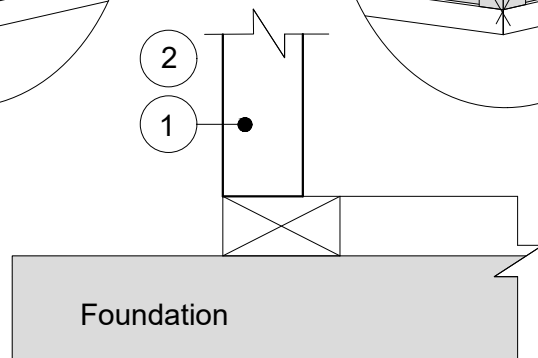
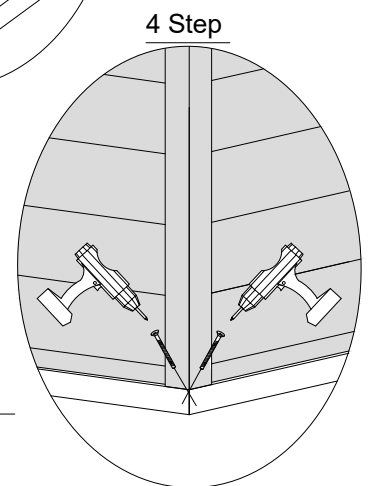
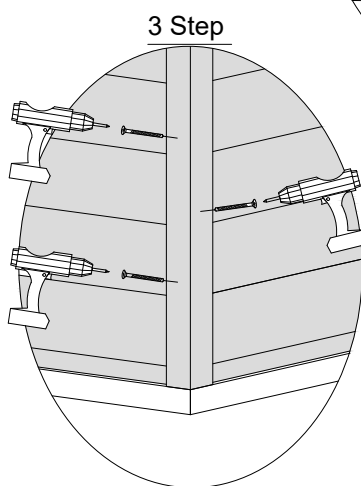
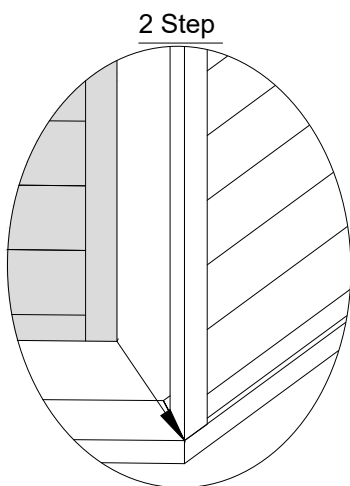
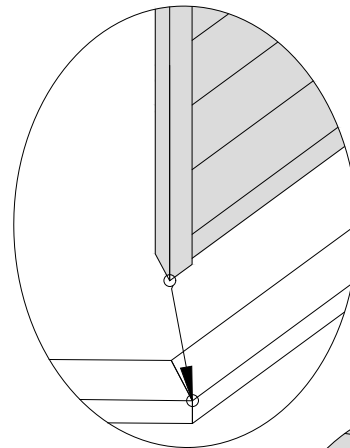
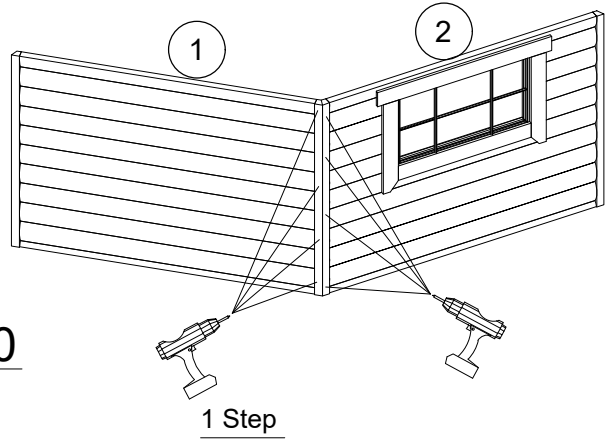
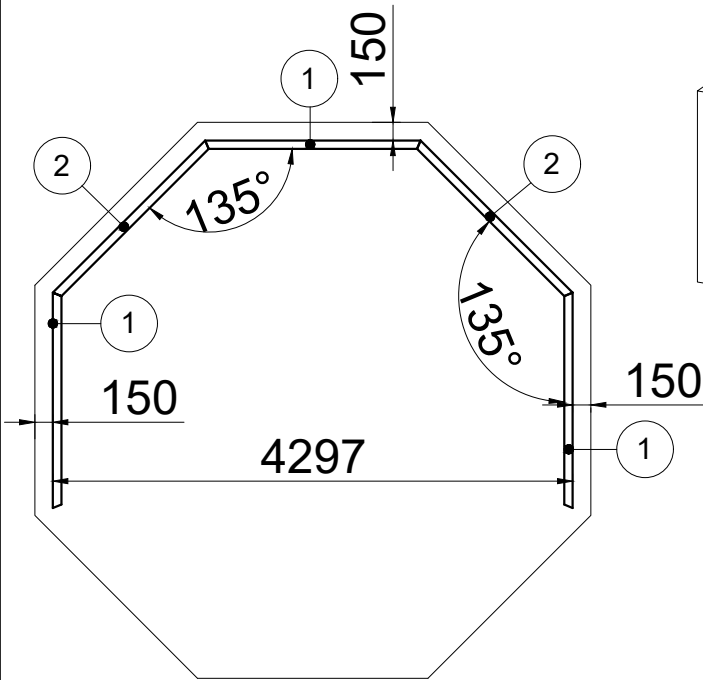
2 x2

GR14.9-S-1285x1780

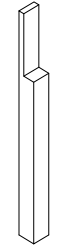
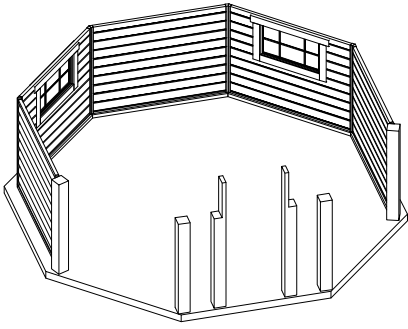


3 x32

T-GC-5x100



3. Open Grill Cabin 14.9 COLUMNS CONNECTION



1 x2

M-140x140x1845-F



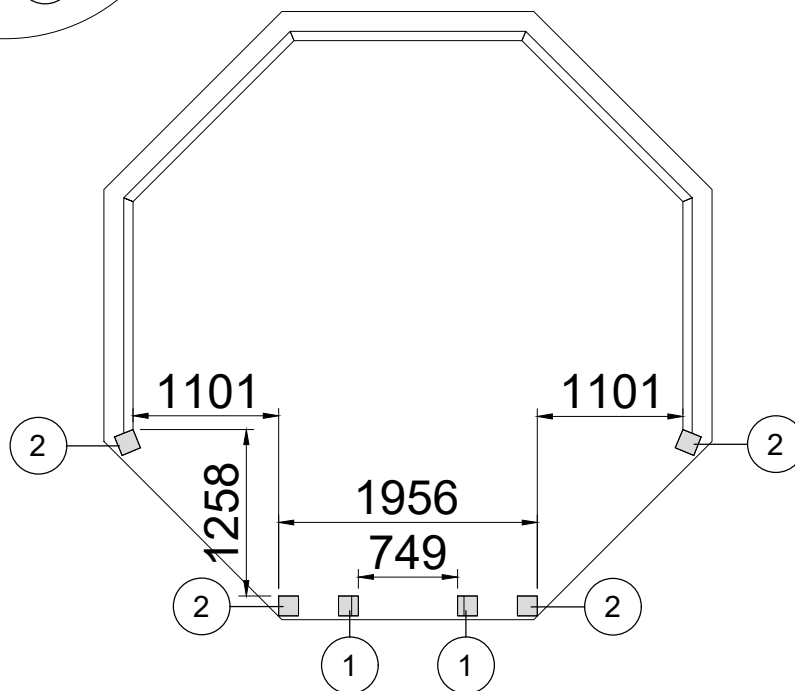
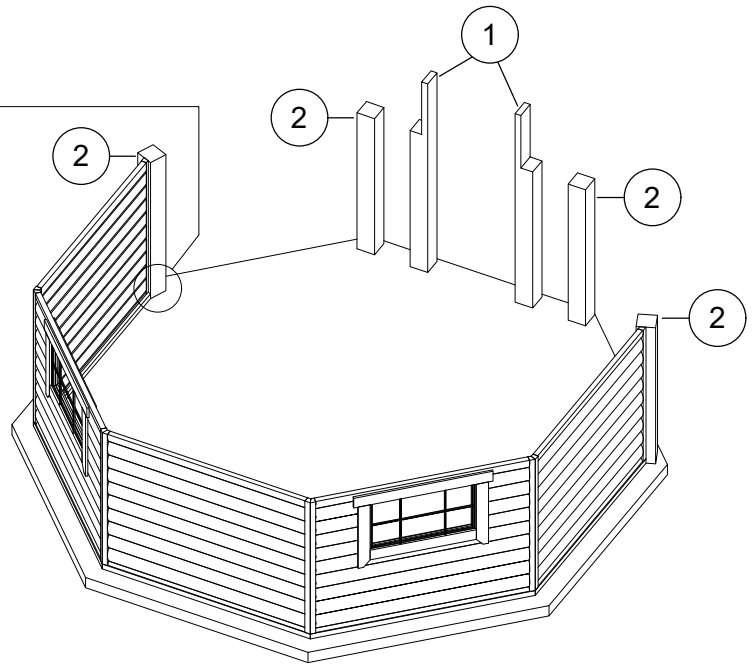
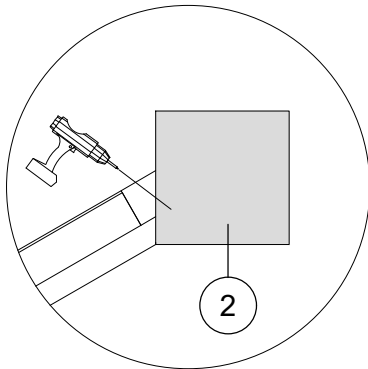
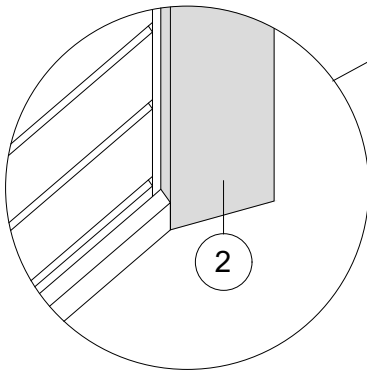
2 x4

M-140x140x1330

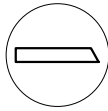
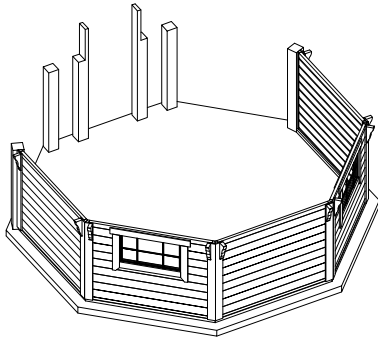


3 x16

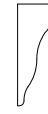
T-GC-5x100



4. Open Grill Cabin 14.9 DECORATION (SUPPORT) OUTSIDE



① x10
M-18x95x1285-F22.5



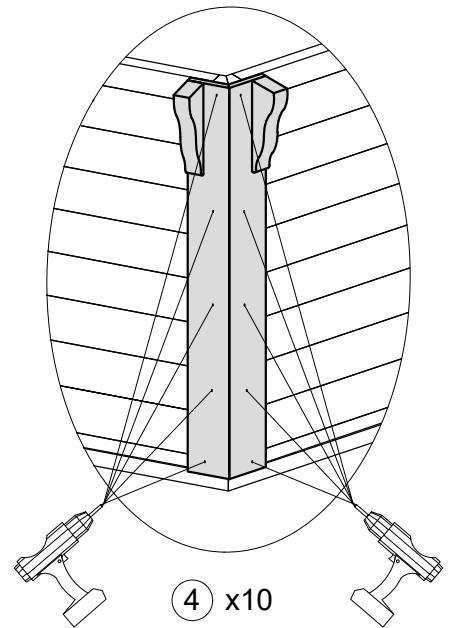
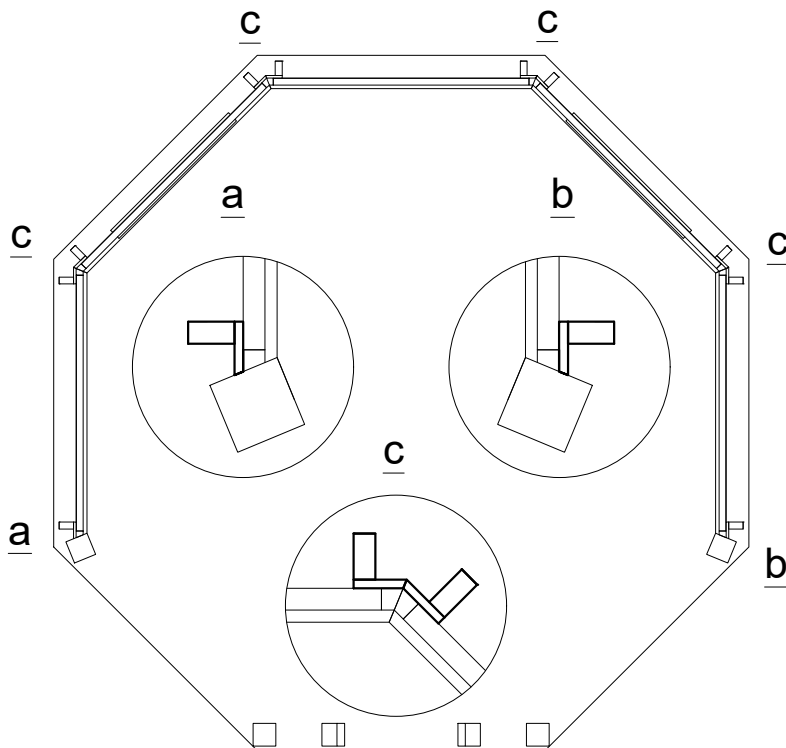
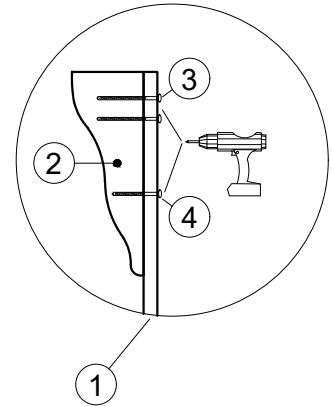
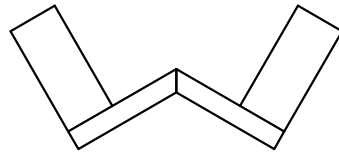
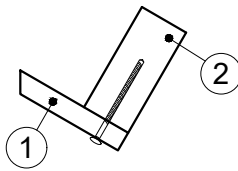
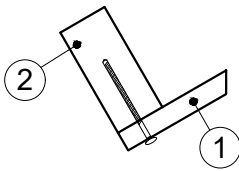
② x10
M-45x95x270-CNC



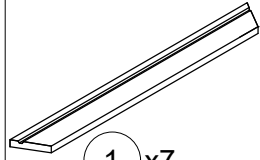
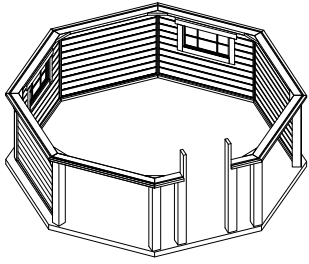
③ x20
T-BC-4x70



④ x60
T-BC-4x50



5. Open Grill Cabin 14.9 ROOF SUPPORT RING



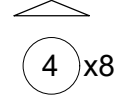
M-45x195x1904-F



M-45x195x527-F(k)



M-45x195x527-F(d)



M-45x70x338-F

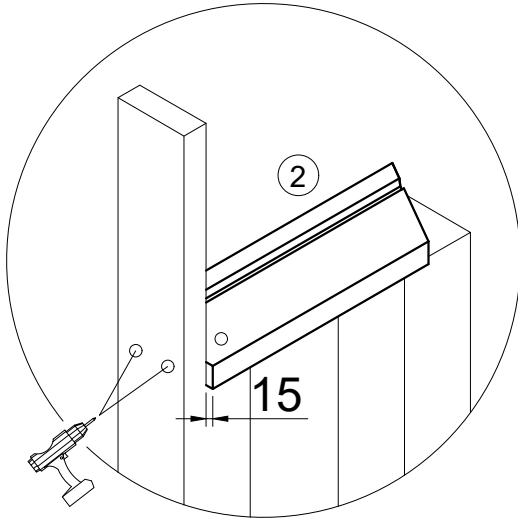


T-GC-5x100

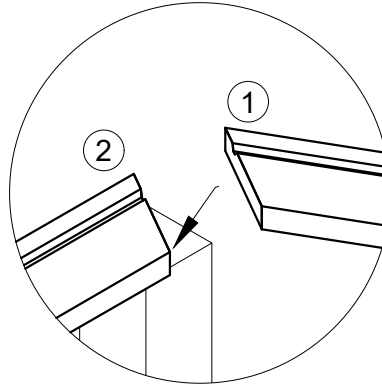


T-GC-5x80

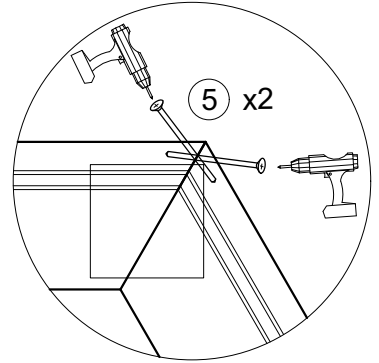
1 Step



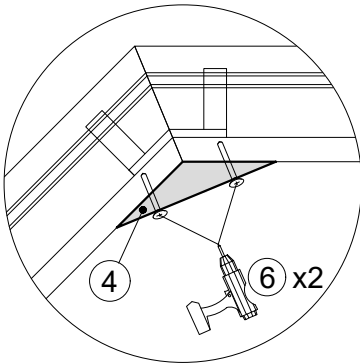
2 Step



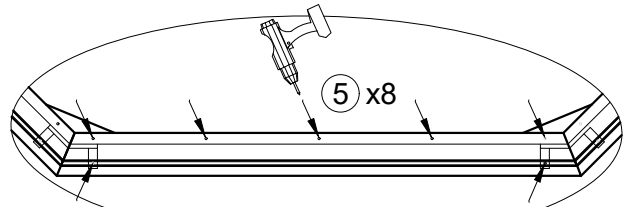
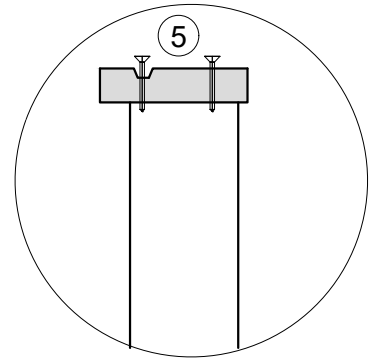
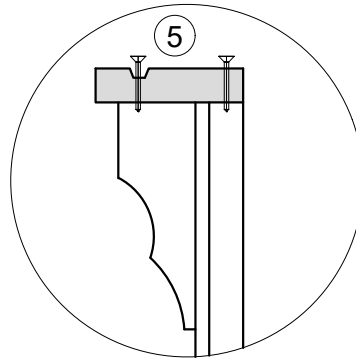
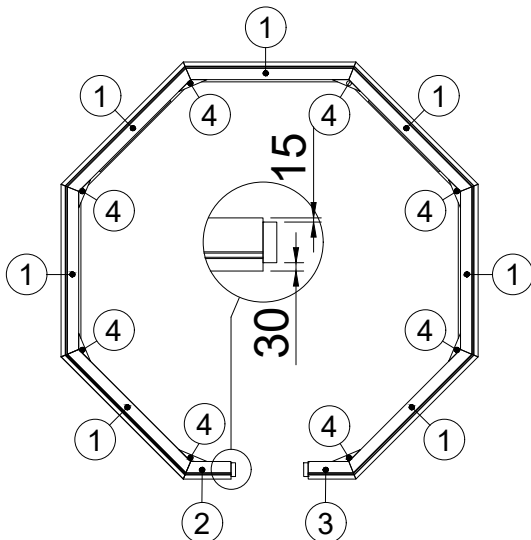
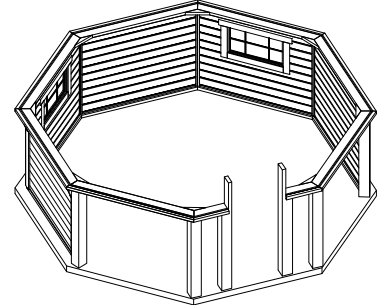
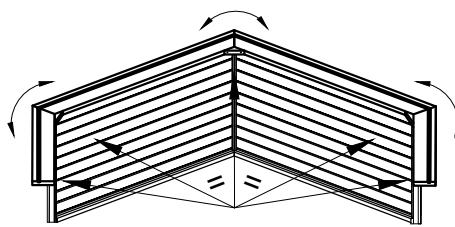
3 Step



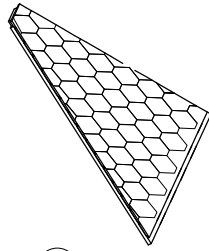
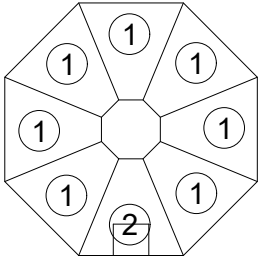
4 Step



5 Step

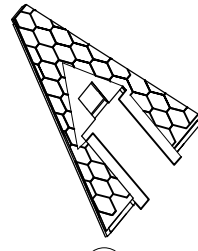


6. Open Grill Cabin 14.9 ROOF



① x7

GR14.9-Stog-1883x2829



② x1

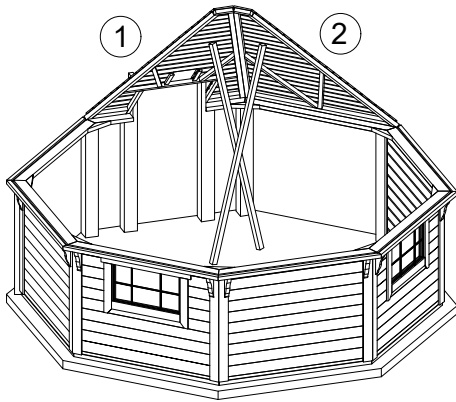
GR14.9-StogD-1883x2829



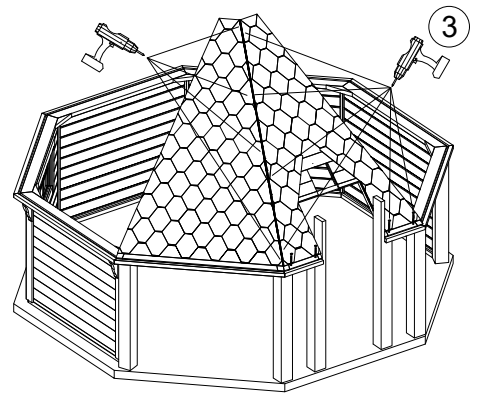
③ x96

T-GC-5x80

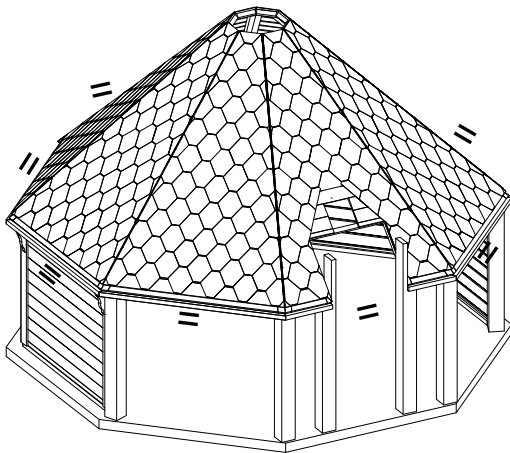
1 Step



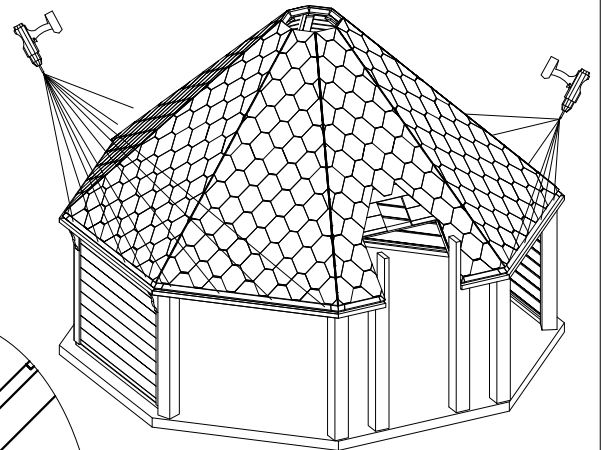
2 Step



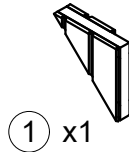
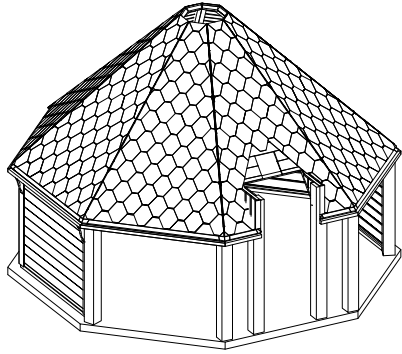
3 Step



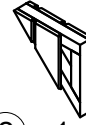
4 Step



7. Open Grill Cabin 14.9 ENTRANCE ASSEMBLY



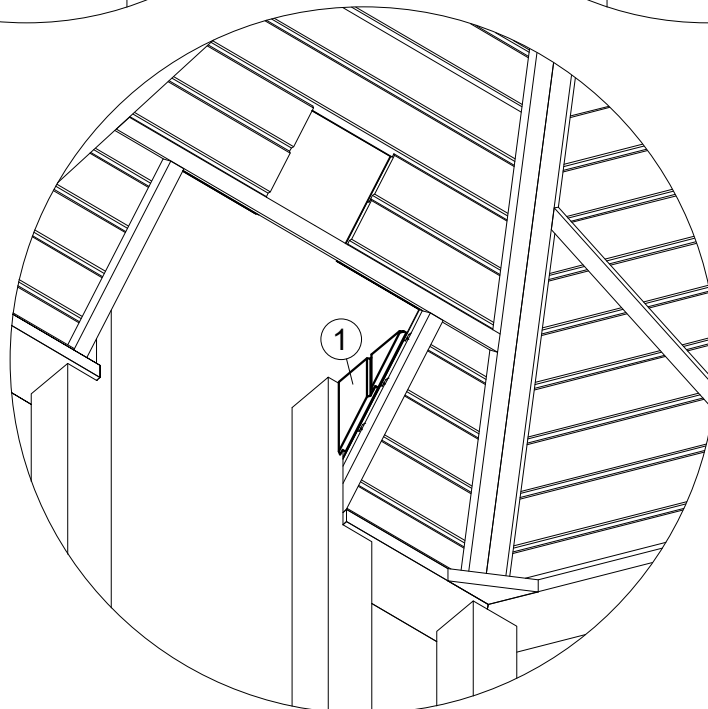
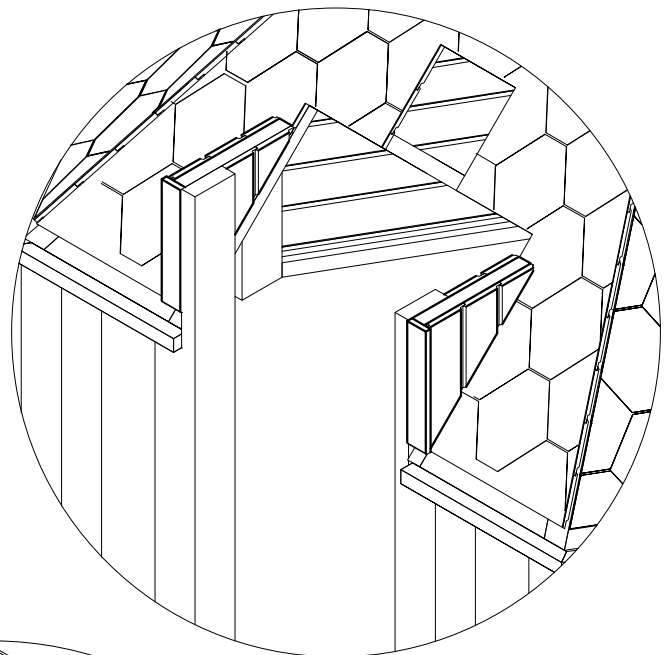
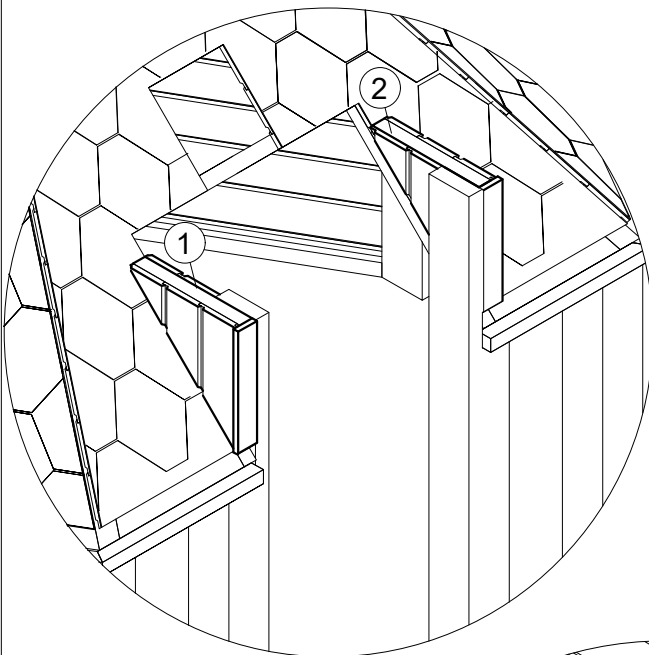
GR-trikamp-399x417-(k)



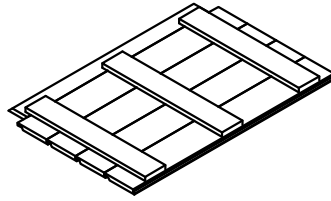
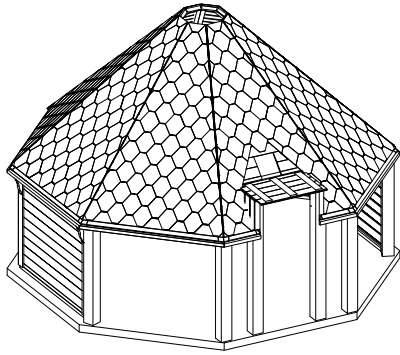
GR-trikamp-399x417-(d)



T-GC-5x100



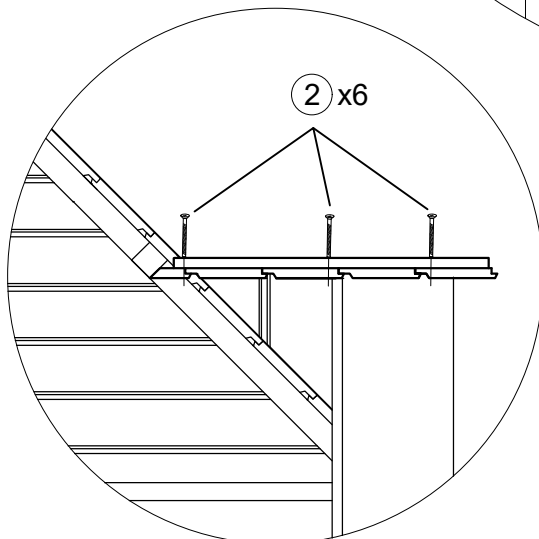
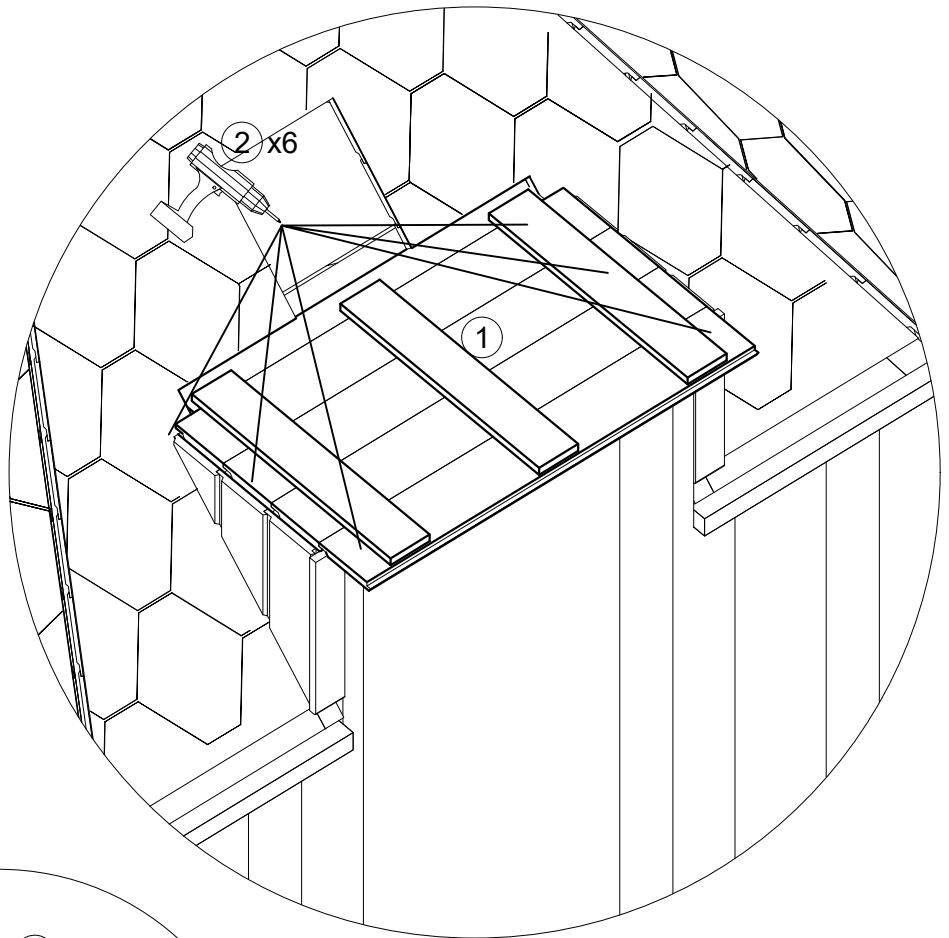
8. Open Grill Cabin 14.9 ENTRANCE ASSEMBLY



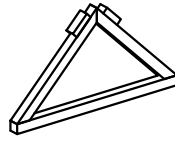
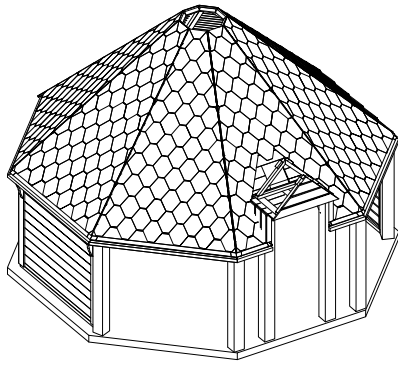
① x1
GR-lubos-636x939



② x6
T-GC-4x70

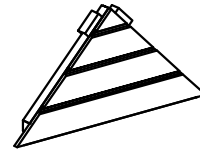


8.1 Open Grill Cabin 14.9 ENTRANCE ASSEMBLY



① x1

GR-Stog-trik-453x815



② x1

GR-Pr-trik-491x981



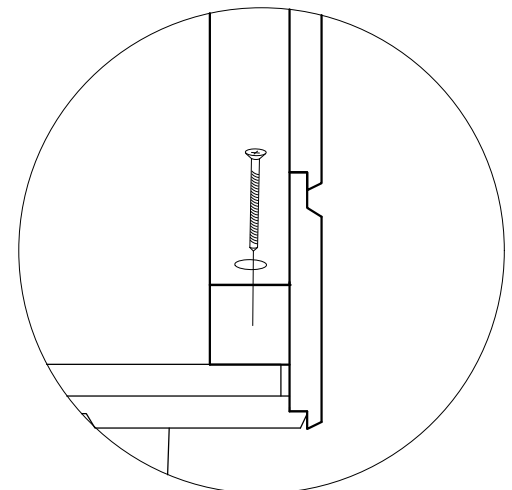
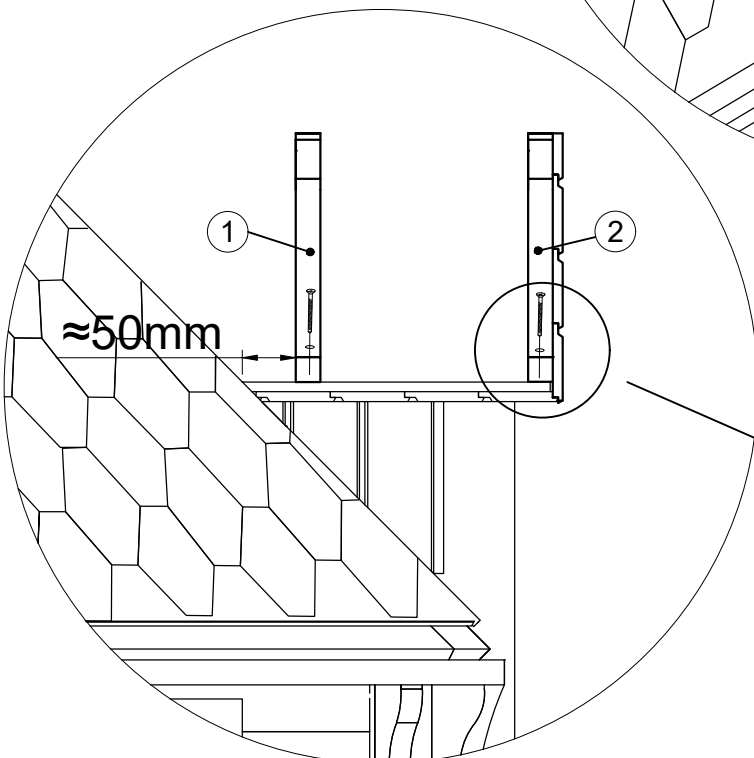
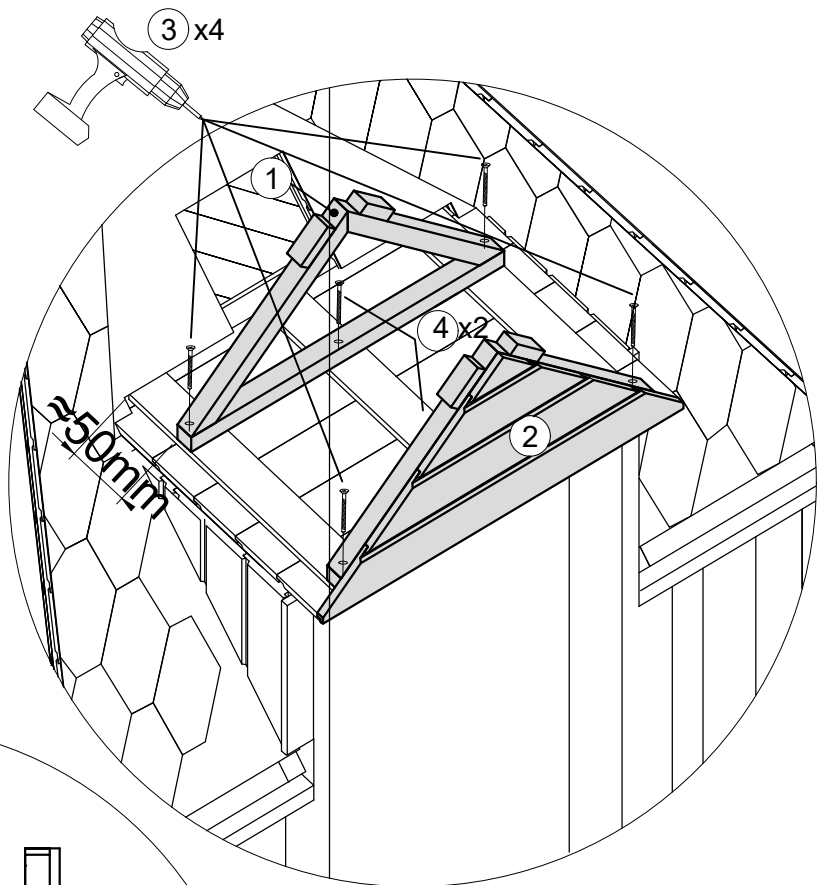
③ x4

T-GC-5x100

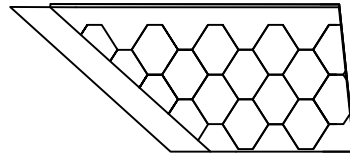
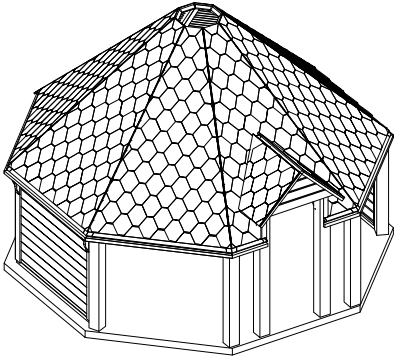


④ x2

T-GC-4x70

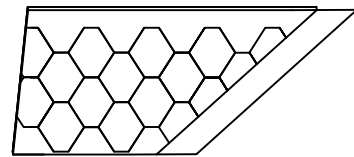


8.2 Open Grill Cabin 14.9 ENTRANCE ASSEMBLY



① x1

GR-Stog-845x1090-(k)

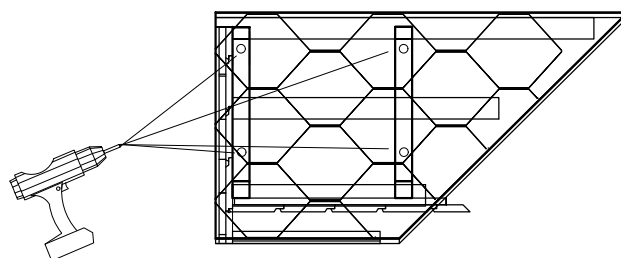
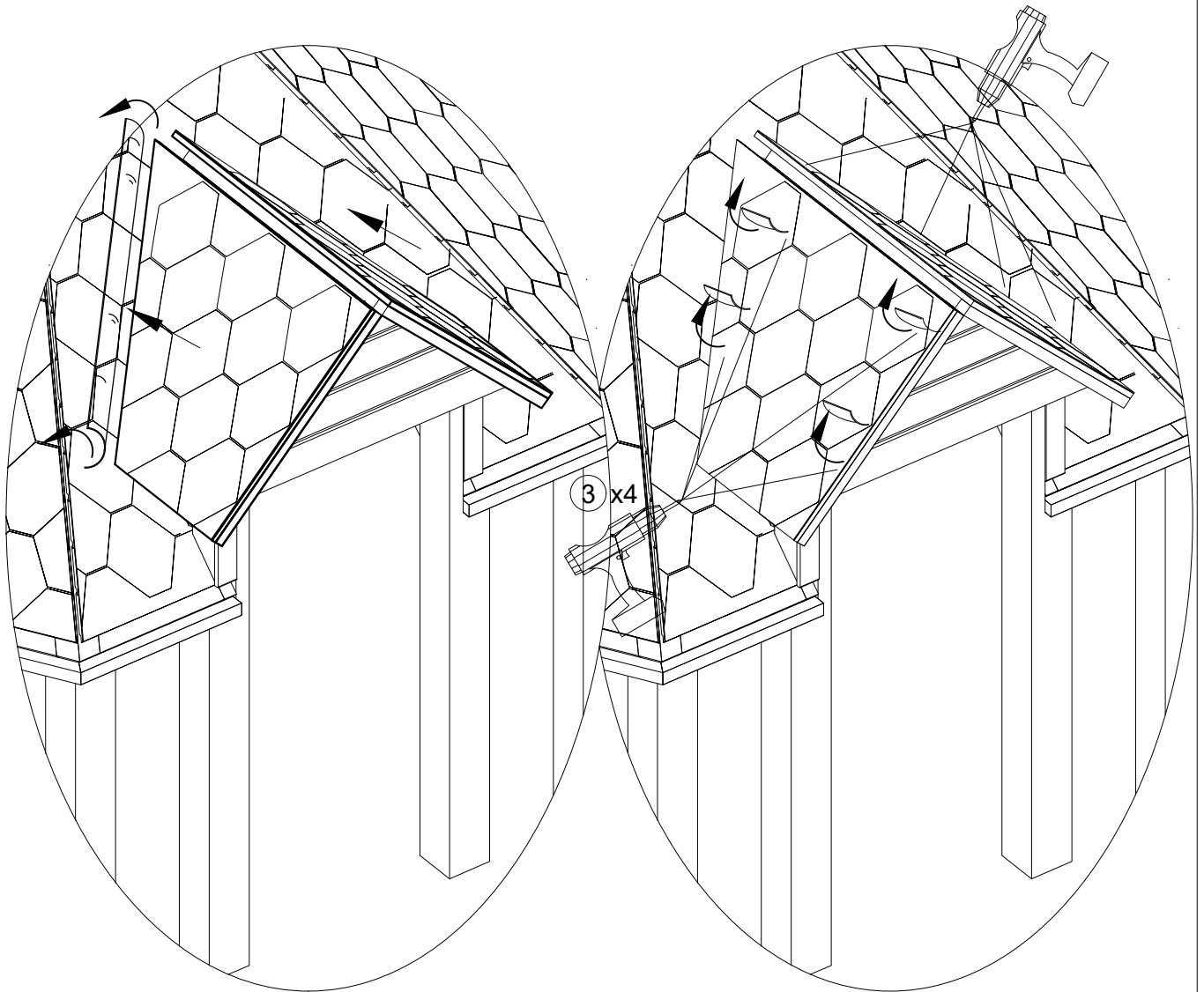


② x1

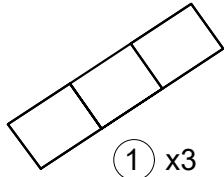
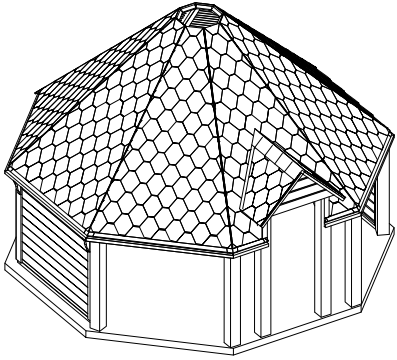
GR-Stog-845x1090-(d)



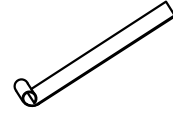
③ x8
T-GC-5x80



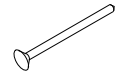
8.3 Open Grill Cabin 14.9 ENTRANCE ASSEMBLY



① x3
Bitumines-
cerpes-3x250x1000

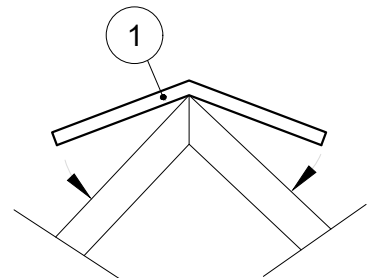
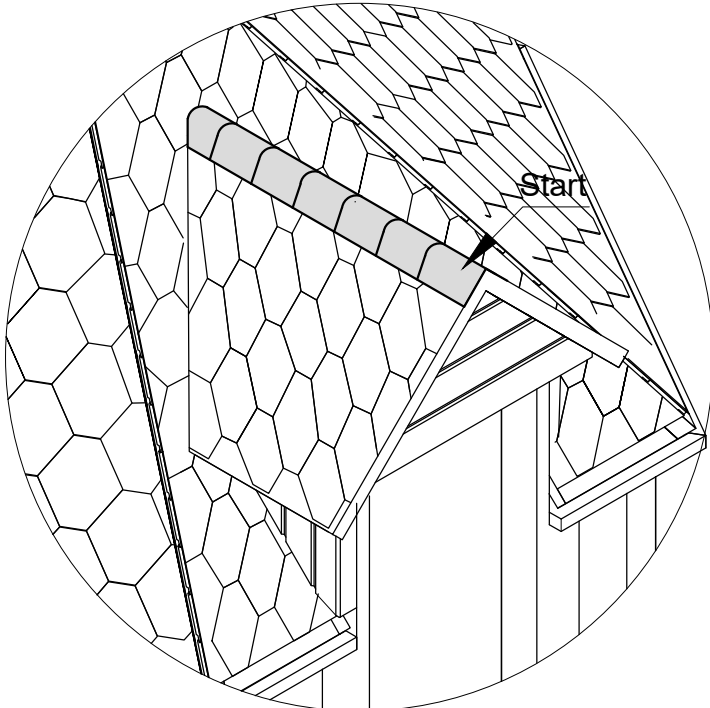


② x2
Bitumine-
juosta-3x70x1360

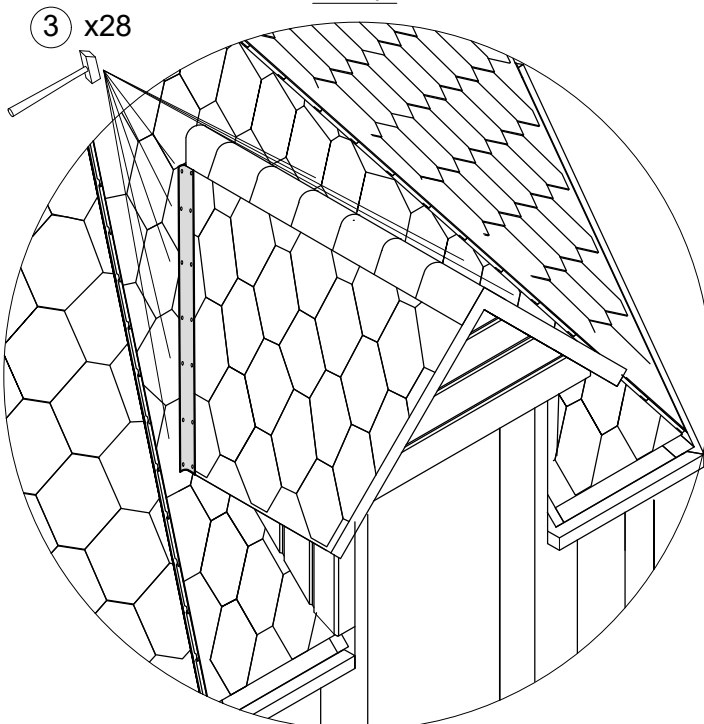


③ x 64
T-V-2x20

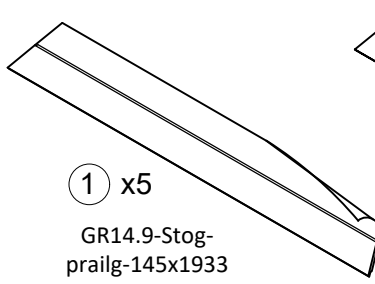
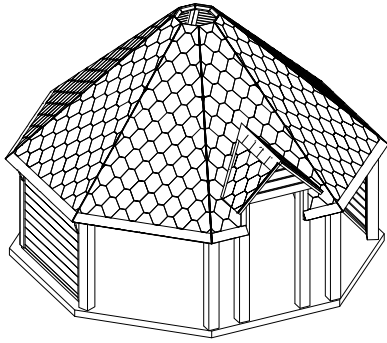
1 Step



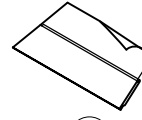
2 Step



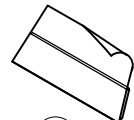
9. Open Grill Cabin 14.9 ROOF FINISHING



① x5
GR14.9-Stog-
prailg-145x1933



② x1
GR14.9-Stog-
prailg-145x541-(k)

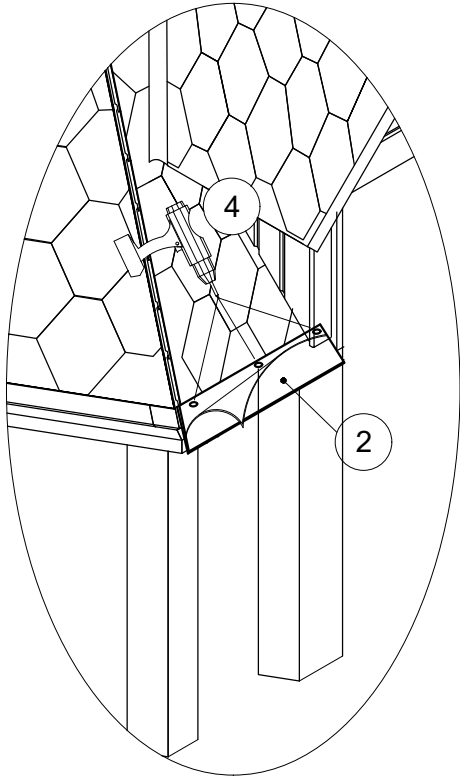


③ x1
GR9.2-Stog-
prailg-145x541-(d)

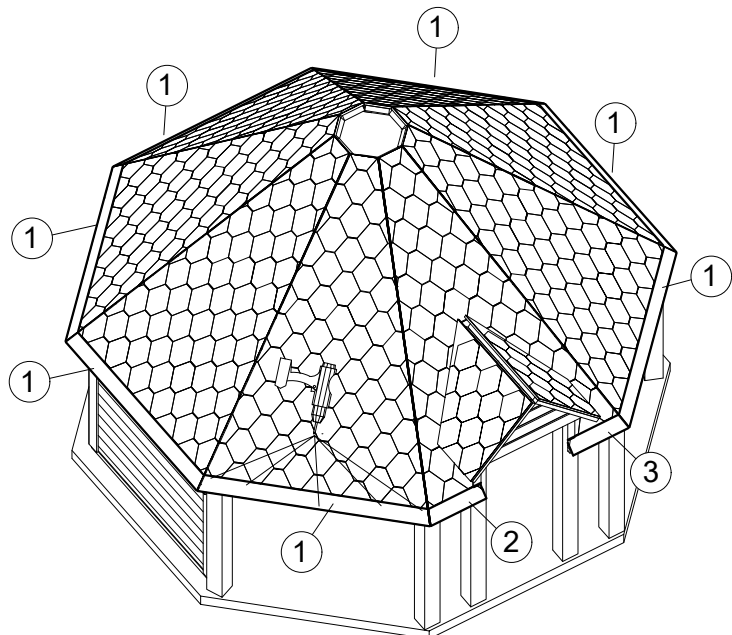
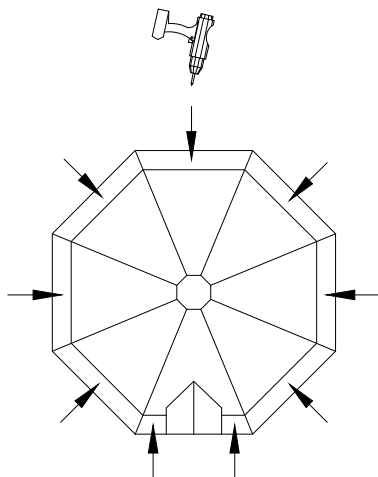
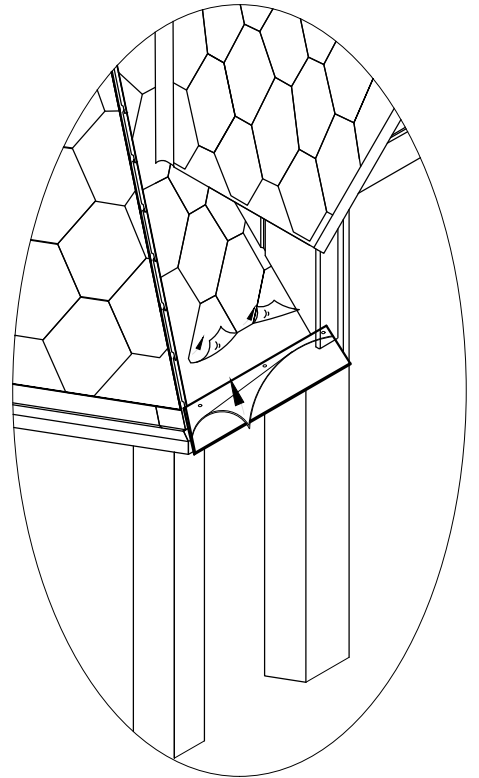
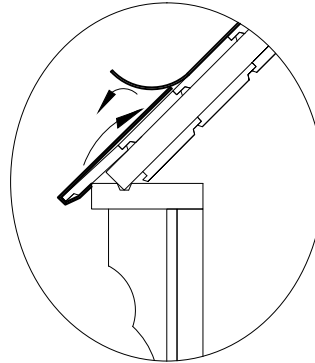
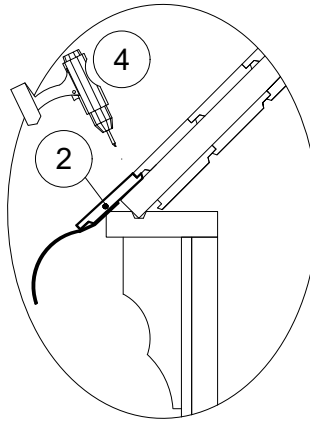


④ x40
T-BC-4x50

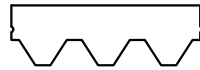
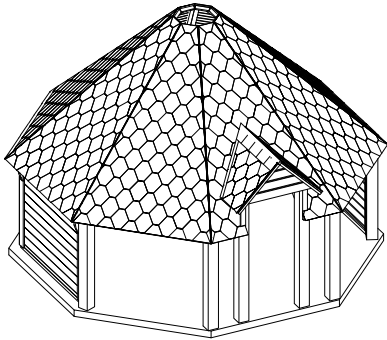
1 Step



2 Step

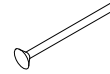


9.1 Open Grill Cabin 14.9 ROOF FINISHING



① x16

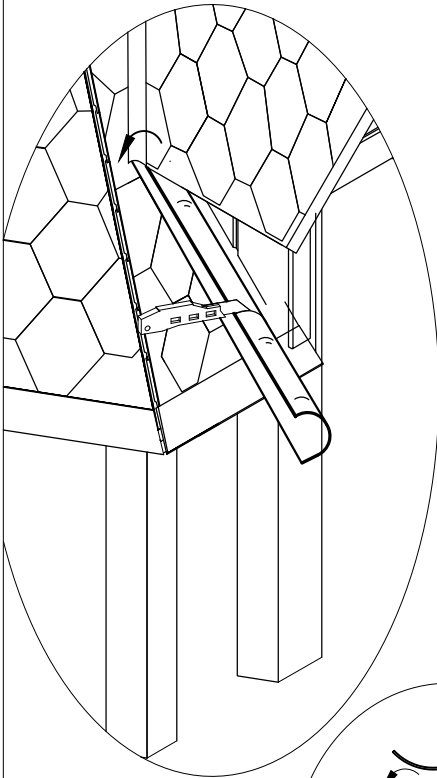
Bituminés-cerpes
-3x317x1000



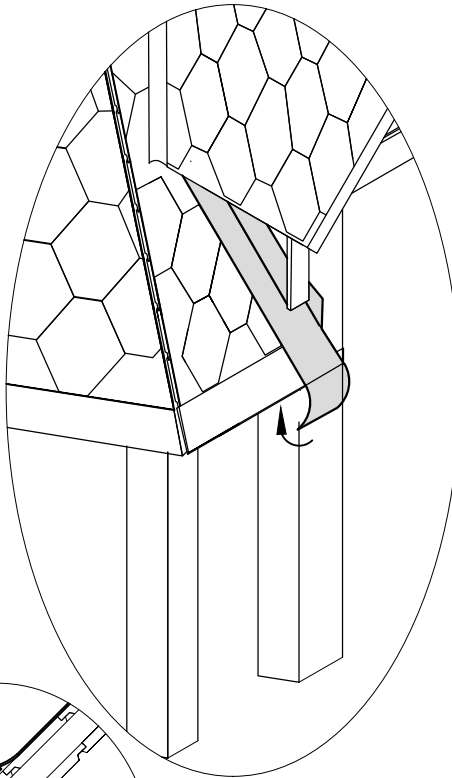
② x 150

T-V-2x20

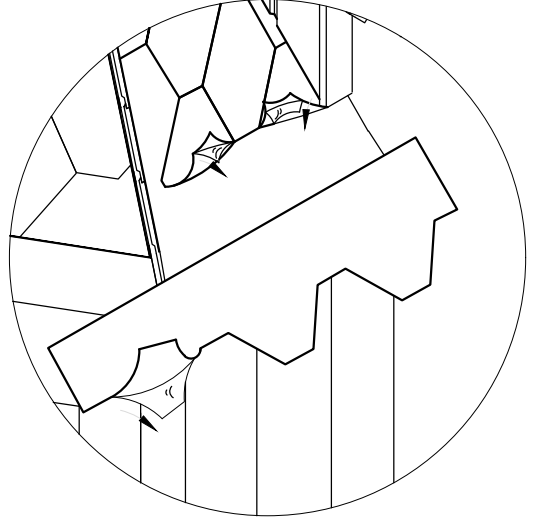
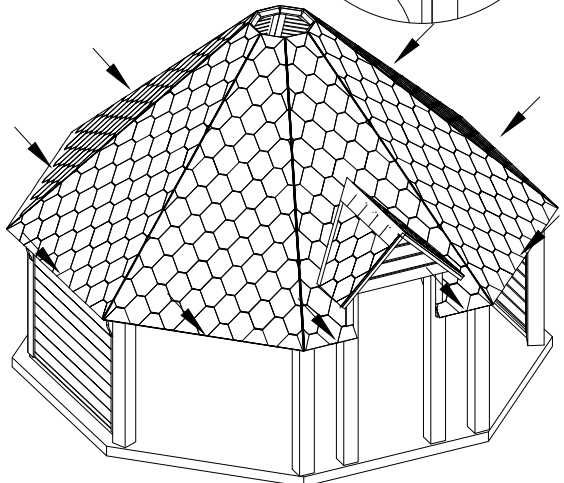
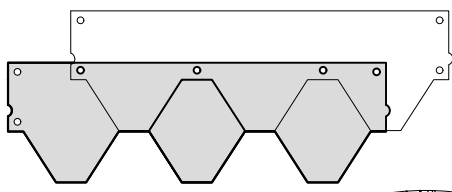
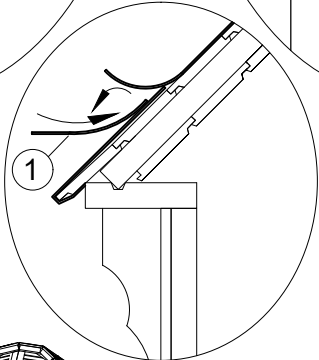
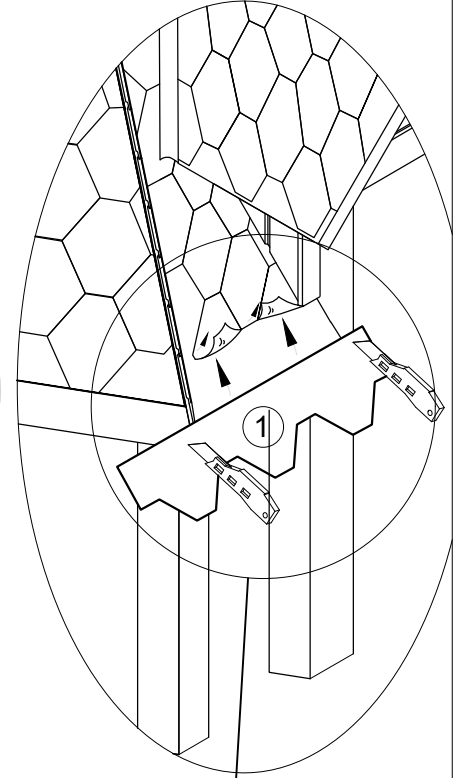
1 Step



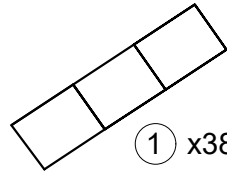
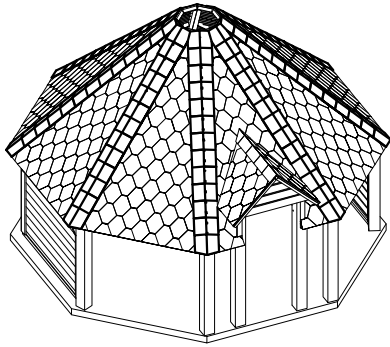
2 Step



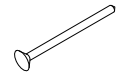
3 Step



9.2 Open Grill Cabin 14.9 ROOF FINISHING

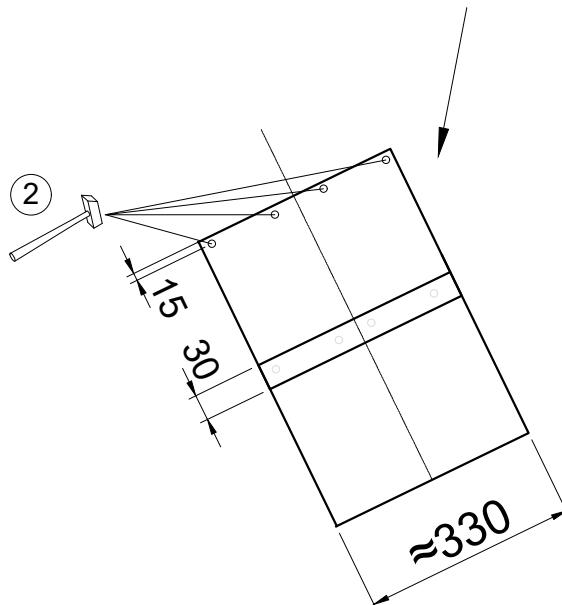
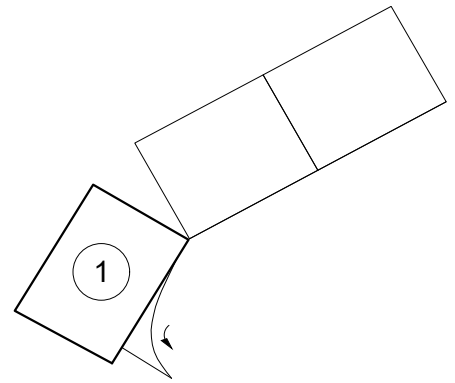
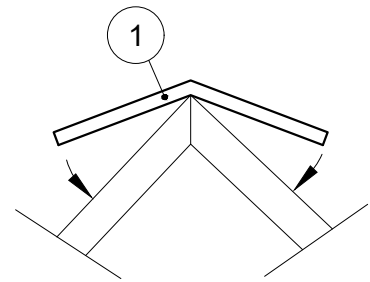
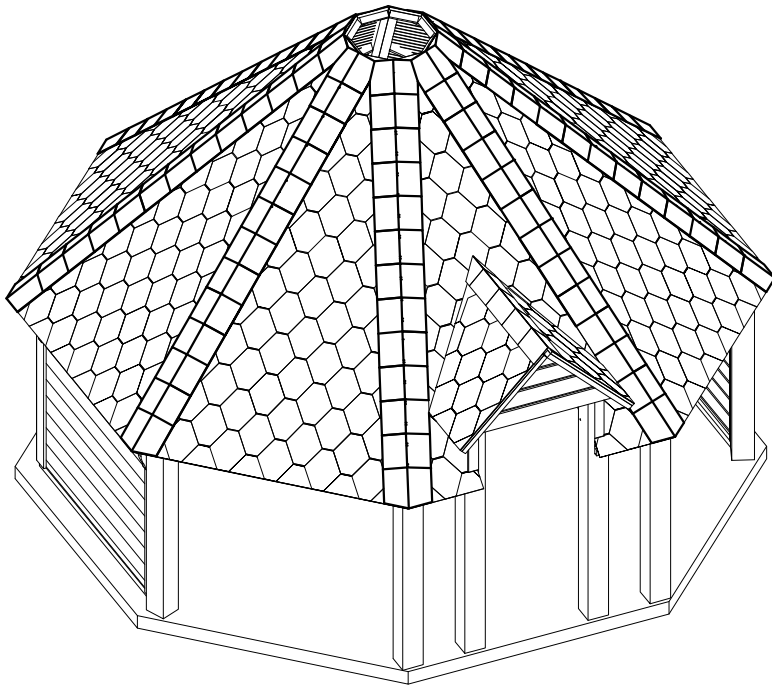


Bitumines-
cerpes-3x250x1000

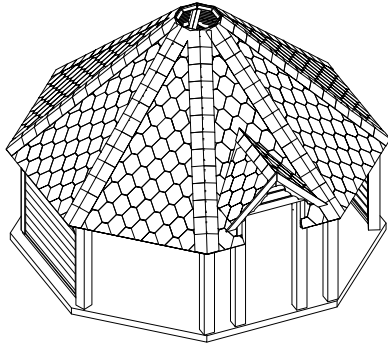


② x 340

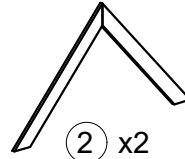
T-V-2x20



10. Open Grill Cabin 14.9 OUTSIDE FINISHING BOARD



① x2
M-18x95x820-CNC

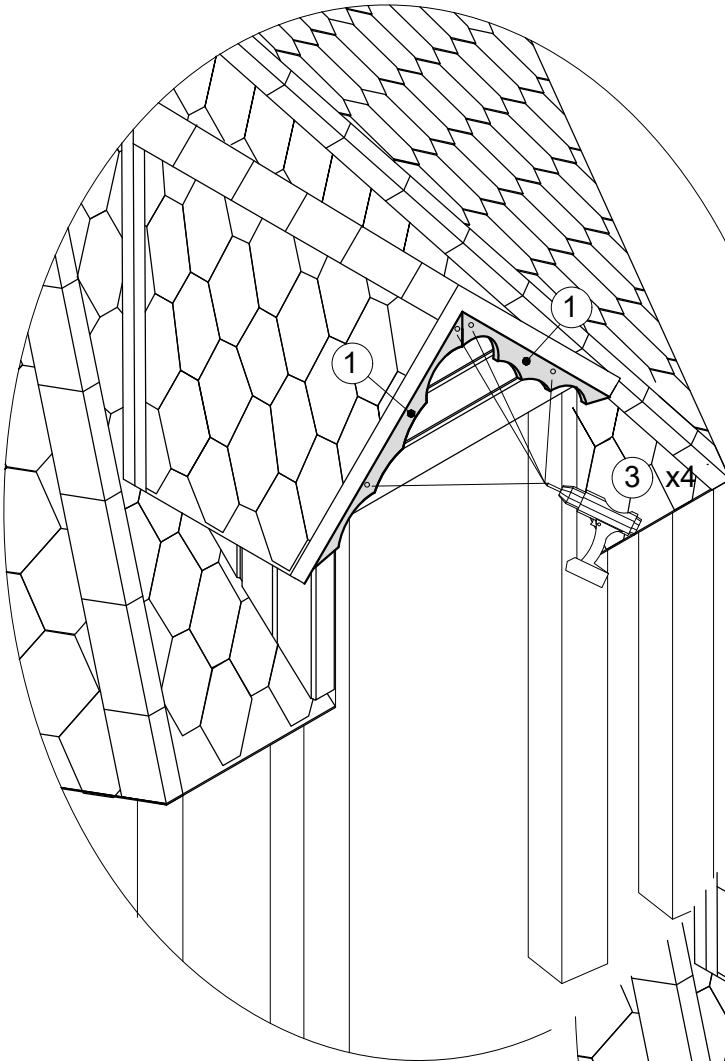


② x2
M-18x95x1050-F

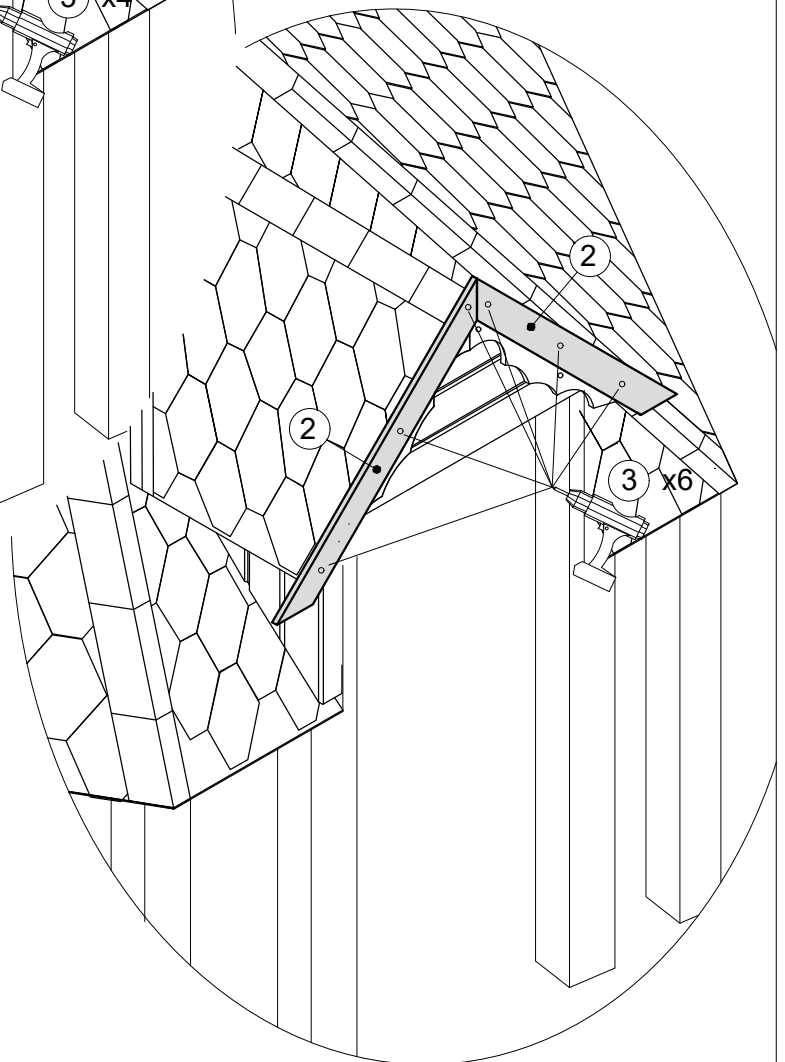


③ x10
T-GC-3.5x45

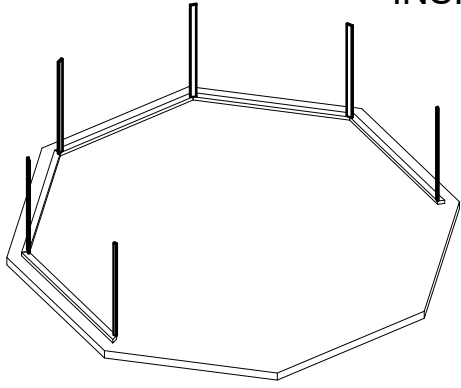
1 Step



2 Step



11. Open Grill Cabin 14.9 INSIDE FINISHING BOARD



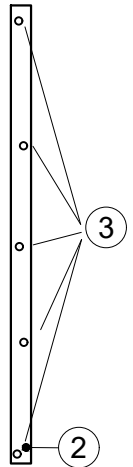
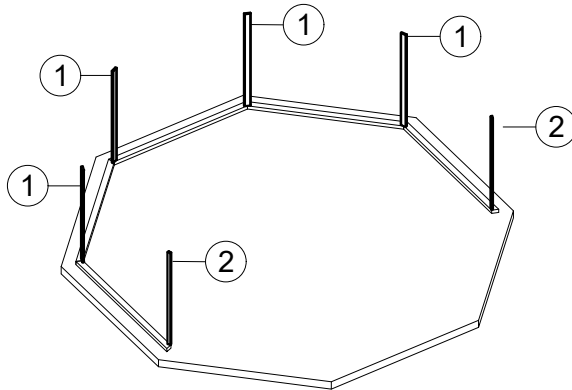
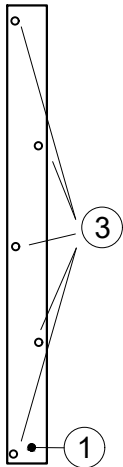
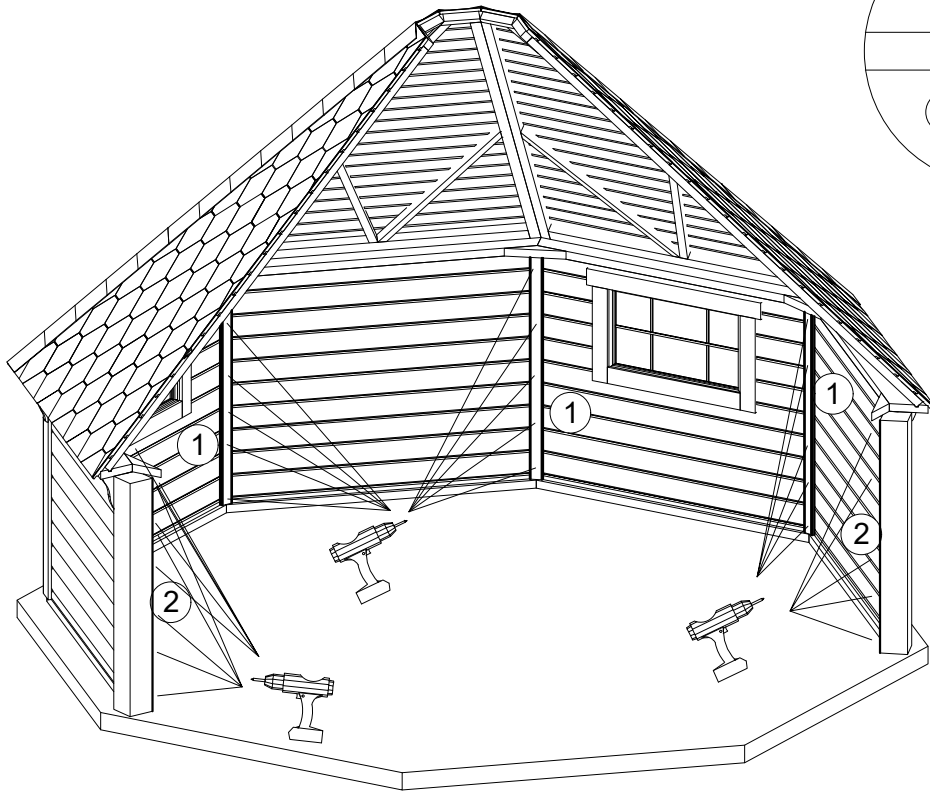
① x4
M-18x70x1280



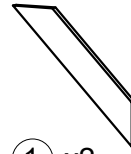
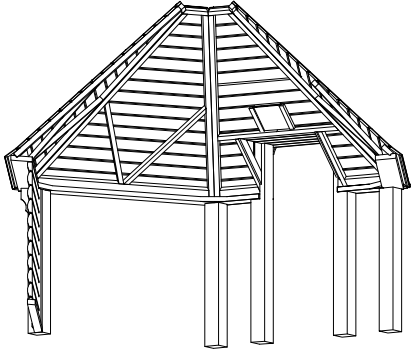
② x2
M-18x33x1280-F



③ x30
T-GC-3.5x45



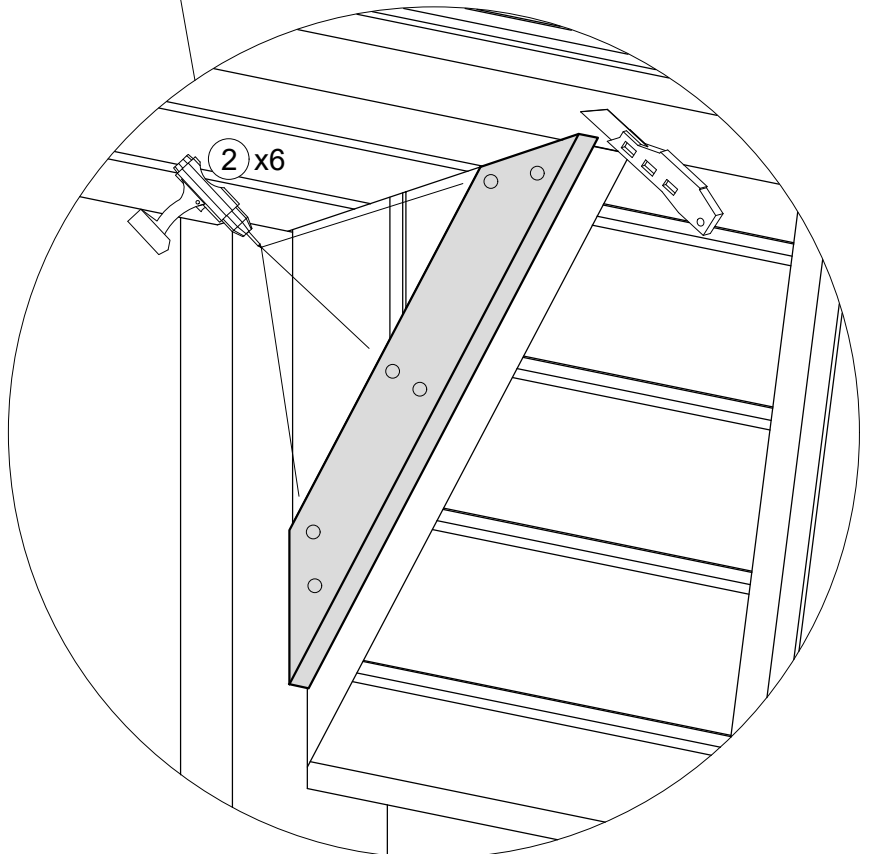
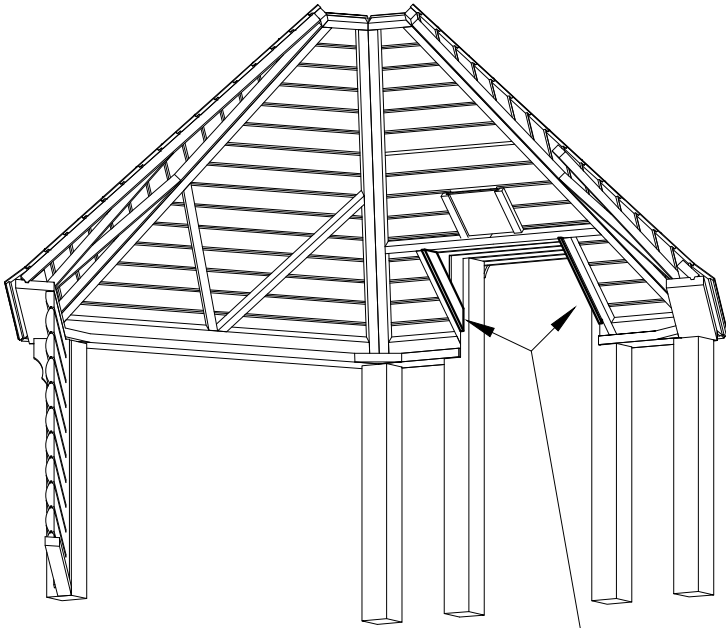
12. Open Grill Cabin 14.9 INSIDE FINISHING BOARD



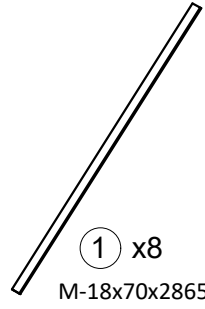
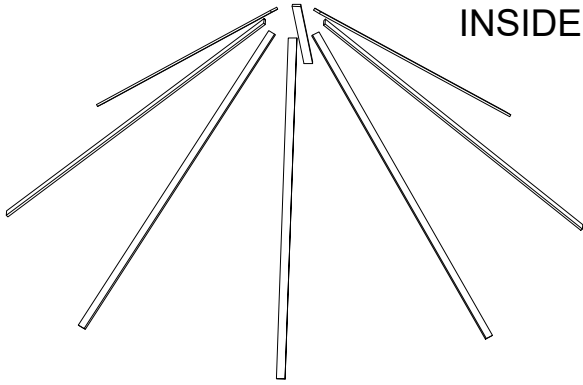
① x2
M-18x70x510-F



② x12
T-GC-3.5x45



12.1 Open Grill Cabin 14.9 INSIDE FINISHING BOARD



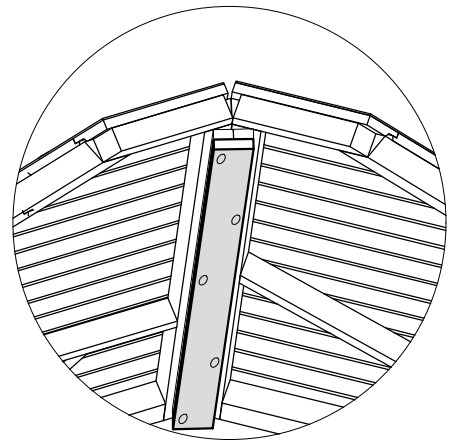
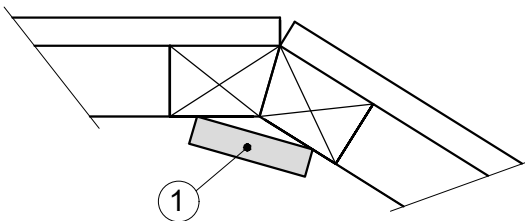
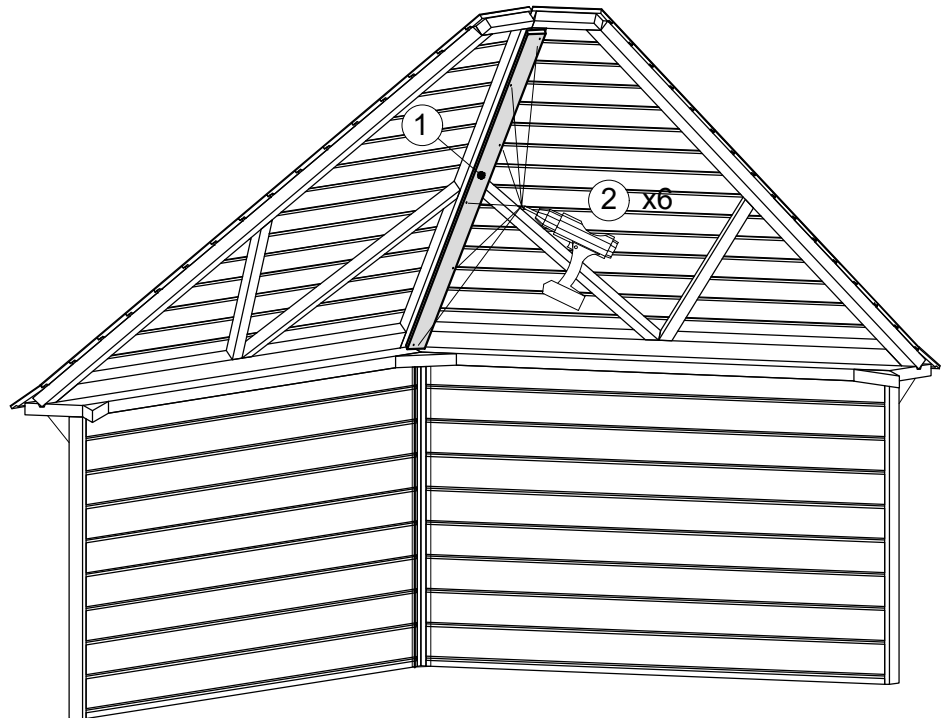
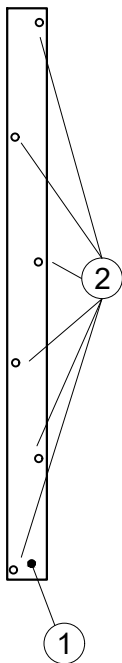
① x8

M-18x70x2865

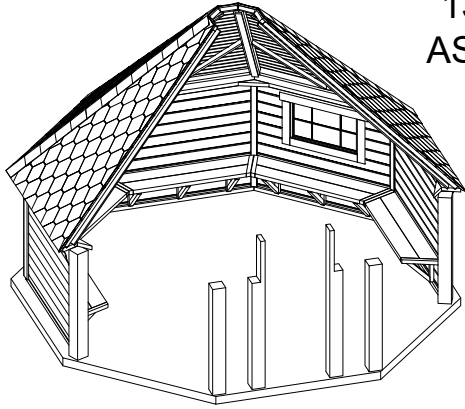


② x48

T-GC-3.5x45

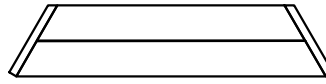


13. Open Grill Cabin 14.9 ASSEMBLY OF BENCHES



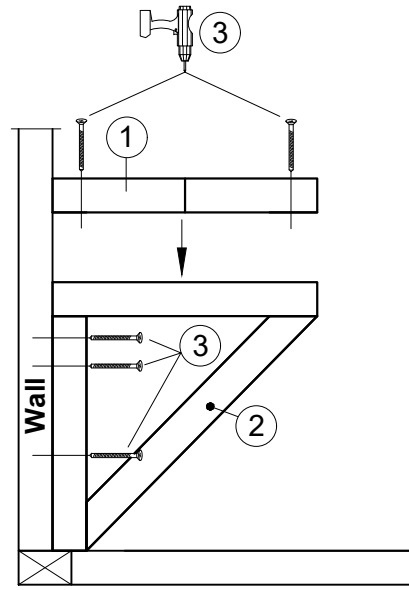
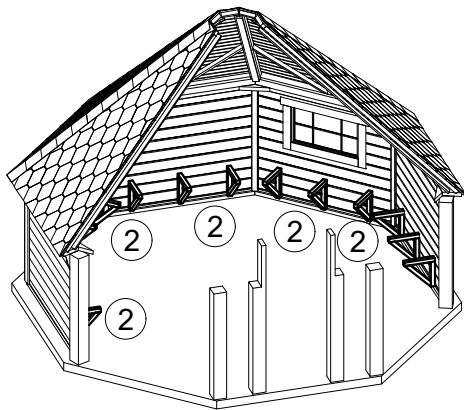
① x5
GR14.9-suolai

② x15
GR-suolu-kojos

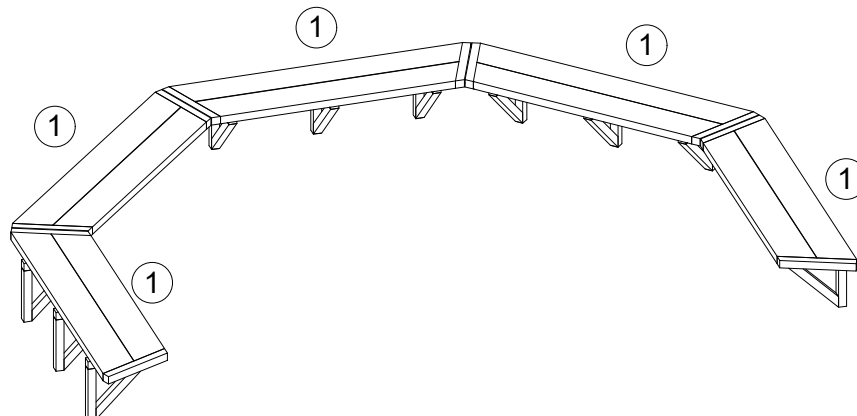
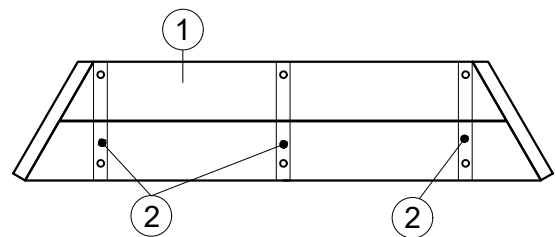
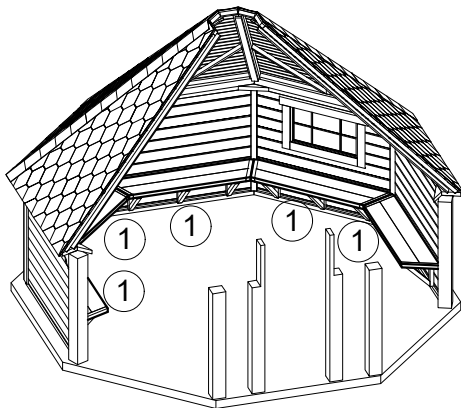


③ x75
T-GC-6x80

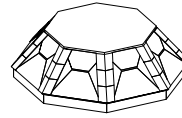
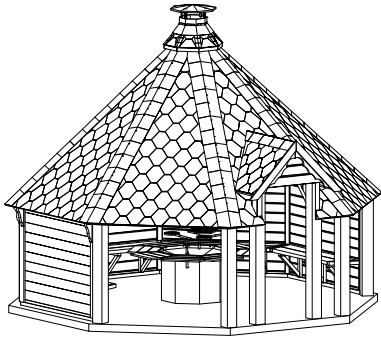
1 Step



2 Step



14. Open Grill Cabin 14.9 ROOF HAT



① x1
GR8k-Kepure



② x8
T-GC-4x70

