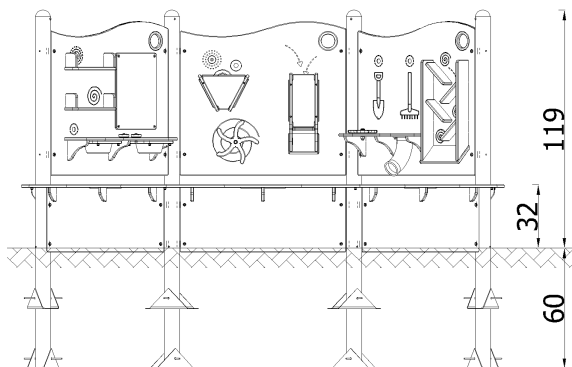
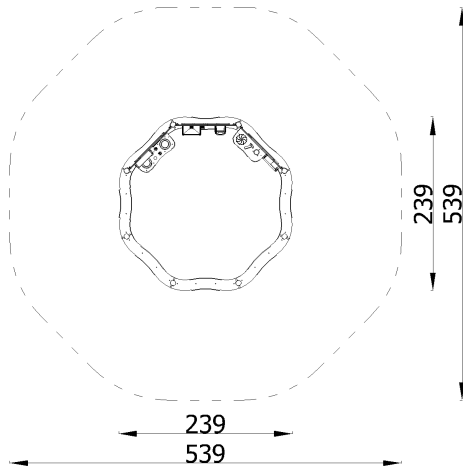


Sandbox Milo with panels

37169



DESCRIPTION

Supporting columns round 76,1mm in stainless steel. Panels in flexible high pressure polyethylene (HDPE) 15mm. All fasteners and fittings weatherproof and UV-resistant. Anchored directly into the ground. Foundations in accordance with installation instructions.

INFORMATION

| | |
|--------------------------|--------------------|
| Number of users | 8 |
| Age range | 1 - 6 |
| Device dimensions [m] | 2.39 x 2.39 x 1.19 |
| Compliance with the norm | EN-1176-1:2017-12 |

SAFETY SURFACE

| Zone | Max height of fall [m] | Area [m ²] | Perimeter of safety zone [m] |
|------|------------------------|------------------------|------------------------------|
| A | 0.32 | 24 | 17.5 |
| B | | | |
| C | | | |

