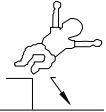
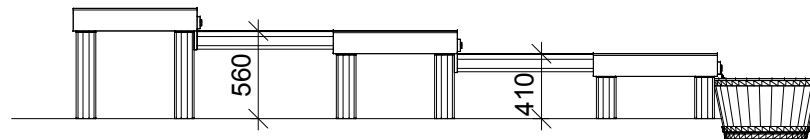
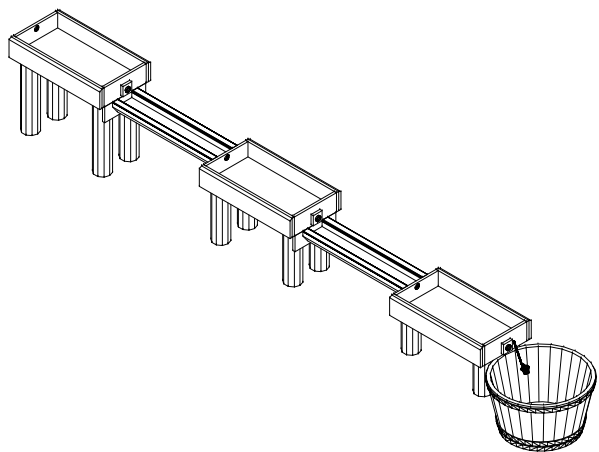


NORLEG	
Vandleg med firkantet bodexkar	
LE 20424	
30.09.2013	REV. 06.06.2018 /hn

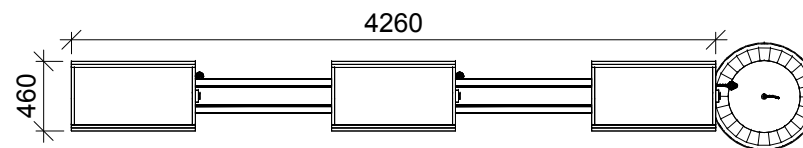
< 600



≥ EN 1176



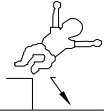
1:50



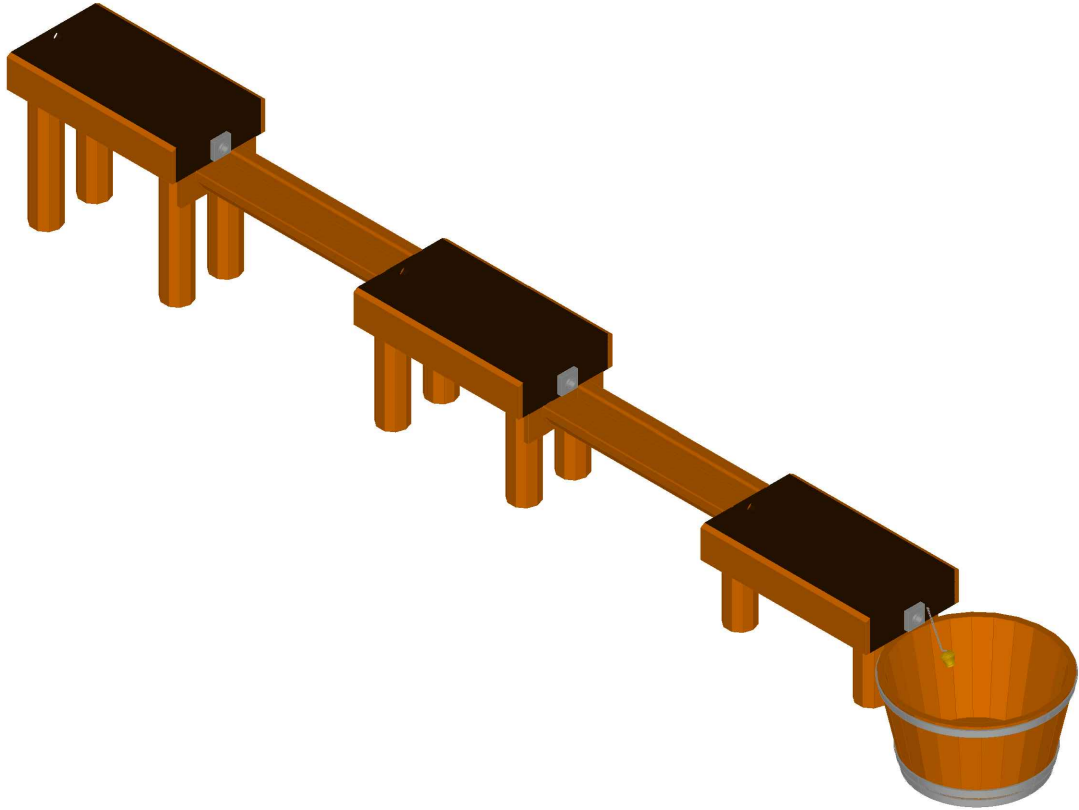
1:50

NORLEG	
Vandleg med firkantet bodexkar	
LE 20424	
30.09.2013	REV. 06.06.2018 /hn

< 600

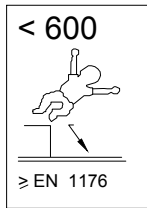


≥ EN 1176



This drawing is the property of NORLEG and pursuant to current legislation may not be copied, transferred to or used by any third party. Should this drawing be used, a fee of 10% of the assumed contract price will be charged.

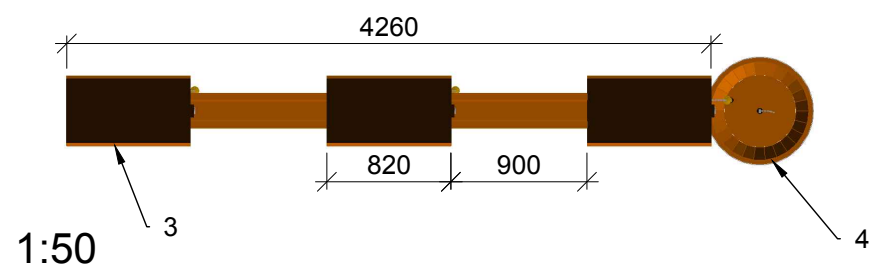
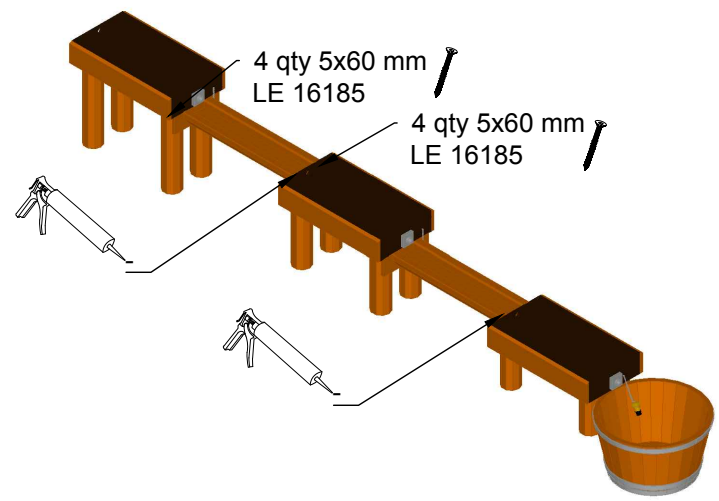
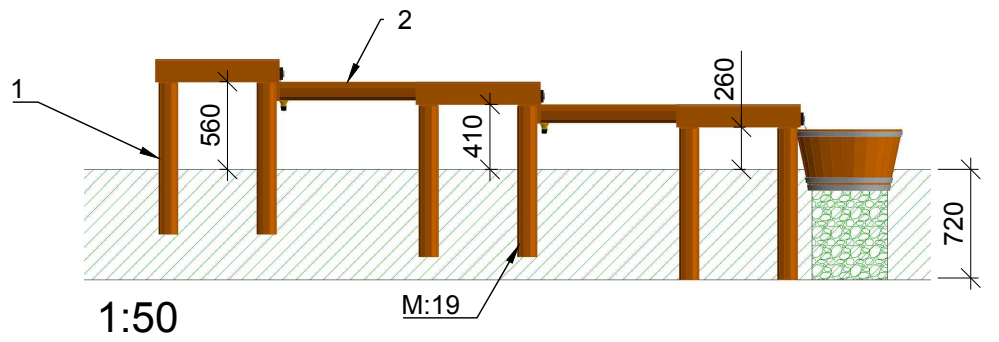
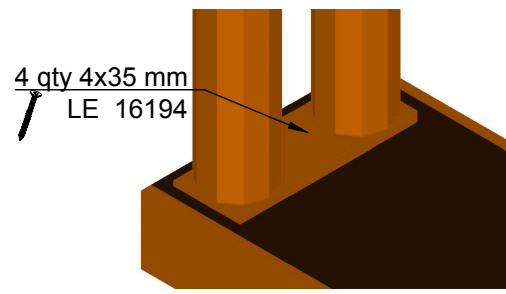
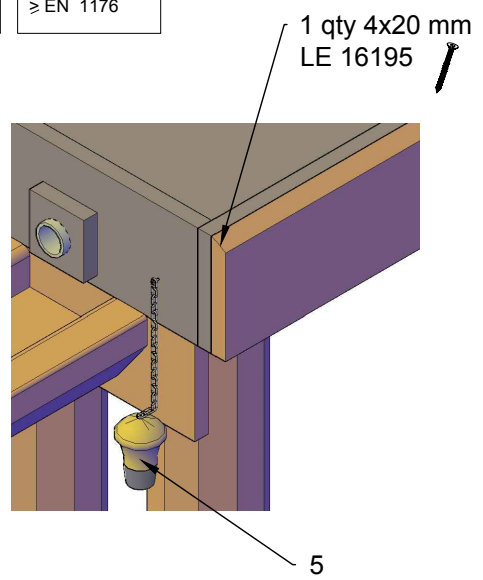
NORLEG - Mont.	
Vandleg med firkantet bodexkar	
LE 20424	
30.09.2013	REV. 06.06.2018/ hn



Mont.p. nr.

19

Materialer		
Mrk.	QTY	Part.no
1	6	LE 20429
2	2	LE 20423
3	3	LE 20425
4	1	LE 20506
5	3	LE 20421



This drawing is the property of NORLEG and pursuant to current legislation may not be copied, transferred to or used by any third party. Should this drawing be used, a fee of 10% of the assumed contract price will be charged.