
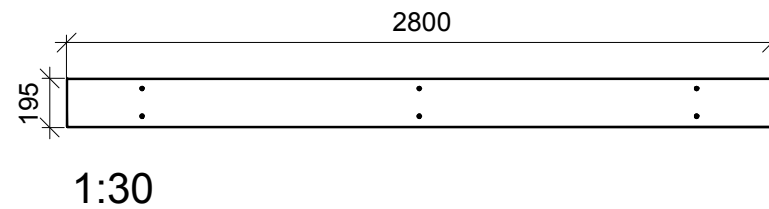
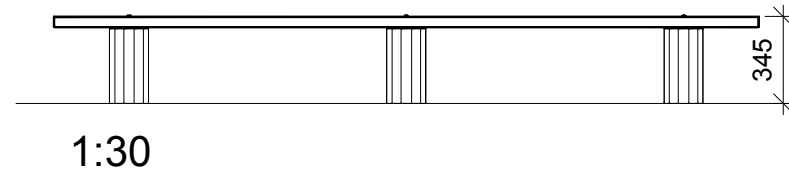
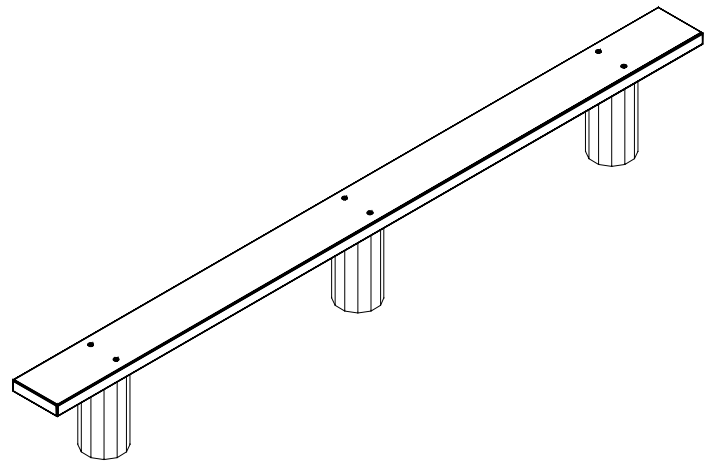


| | |
|-------------------|--------|
| NORLEG | |
| Bænk til grillhus | |
| LE 20888 | |
| 03.10.2014 | REV. - |

< 600

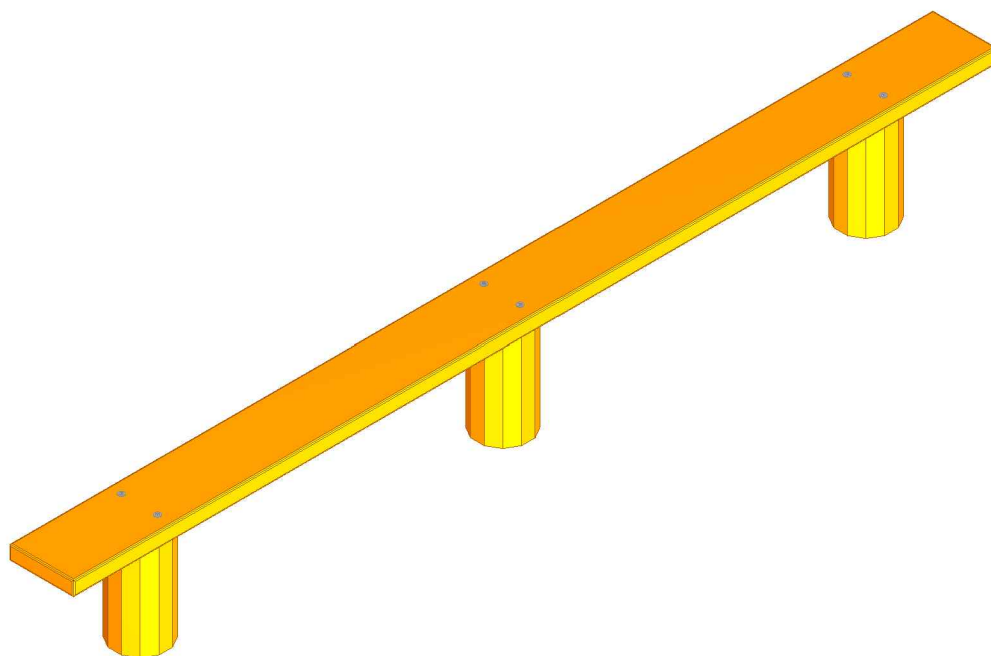


≥ EN 1176



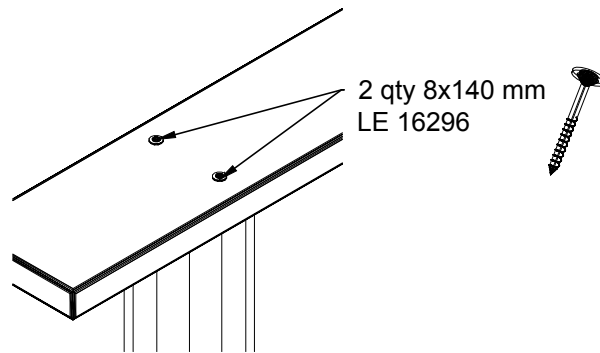
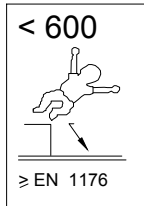
This drawing is the property of NORLEG and pursuant to current legislation may not be copied, transferred to or used by any third party. Should this drawing be used, a fee of 10% of the assumed contract price will be charged.

| | |
|-------------------|--------|
| NORLEG - 3D | |
| Bænk til grillhus | |
| LE 20888 | |
| 03.10.2014 | REV. - |

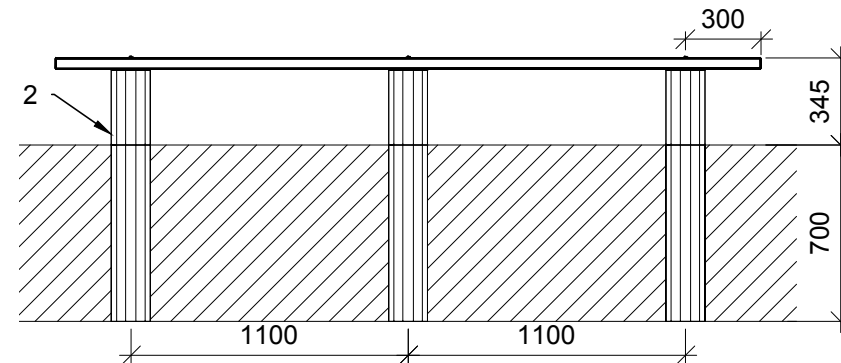


This drawing is the property of NORLEG and pursuant to current legislation may not be copied, transferred to or used by any third party. Should this drawing be used, a fee of 10% of the assumed contract price will be charged.

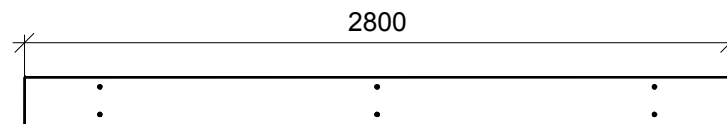
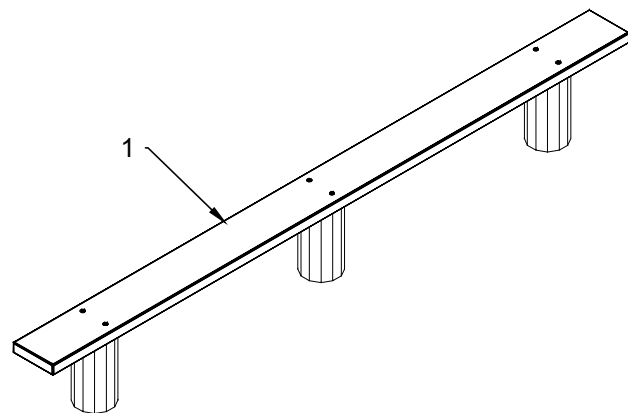
| | |
|--------------------------|--------|
| NORLEG - Mont. | |
| Bænk til grillhus | |
| LE 20888 | |
| 03.10.2014 | REV. - |



| Materialer | | |
|------------|-----|--------------|
| Mrk. | QTY | Part.no |
| 1 | 1 | 45x195x2800 |
| 2 | 3 | 140-180-1000 |



1:30



1:30