

# DATA SHEET WATERPLAY ELIX 2

Text for invitation to tender | Item No: 511511601



## MATERIALS | SCOPE OF SUPPLY

Waterplay, final installation on location

Stand posts:	stainless steel, V2A, with robinia half-shell encased, 2 pieces
Archimedic helix:	stainless steel, V2A, 1 piece
Water wheel:	stainless steel, V2A, 1 piece
Water basin:	FRP, 1 piece
Fixture:	stainless steel, V2A, 1 piece
Foundation plate:	steel, coated

## TECHNICAL INFORMATION

Dimensions:

Main dimension:	2680 x 1025 mm
Height:	1500 mm
Weight:	225 kg
Capacity:	acc. to normative requirements
Dimension largest piece:	1000 x 800 x 1950 mm
Heaviest piece:	162 kg

Max. fall height:

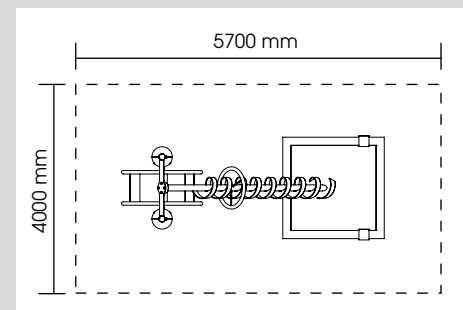
-

Minimum space:

22,80 m<sup>2</sup>

Recommended surface material:

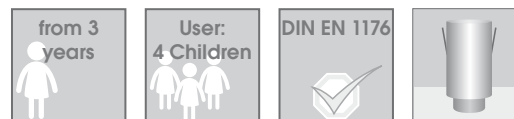
grass, sand, gravel,  
synth. impact protection  
The ground must be smooth and free of edges.



## INSTALLATION

Foundations: 2

Installation according to our detailed mounting instructions, see [www.stilum.com](http://www.stilum.com)



Please note the material information in the mounting- and maintenance instruction.